

Please read the following information before installing and using your Heated Towel Rack  
 \*\*\* FOR HARDWIRE INSTALLATION PLS SEE PAGE 3. \*\*\*

### WARNINGS

- These units should be installed by a certified electrician in accordance with the National Electrical Code (NEC) and the Canadian Electrical Code (CEC).
- The unit requires a 120 volt, 60Hz power source and should be installed on a GFCI protected circuit.
- Plug-in units should be connected to a grounded outlet with a minimum rating of 10 amps.
- Follow installation instructions to ensure unit is securely fixed to wall. Unit is designed for drying towels. Under no circumstances should anybody climb on or hang on unit.
- Unit is intended for indoor use only. Do not place units inside a shower, sauna, steam room, or wherever unit would be exposed to water.

### CAUTION

- As this is a heating device, the surface temperature can increase depending on the ambient temperature in the room and the number of towels applied to the unit.
- Overloading the unit with more than one towel can cause the unit to become extremely hot and may result in a burn if touched and/or damage to towels
- The fasteners provided with the installation kit are for convenience only and are not suitable for all installation conditions.
- It is the ultimate responsibility of the installer to ensure suitable mounting hardware is used.

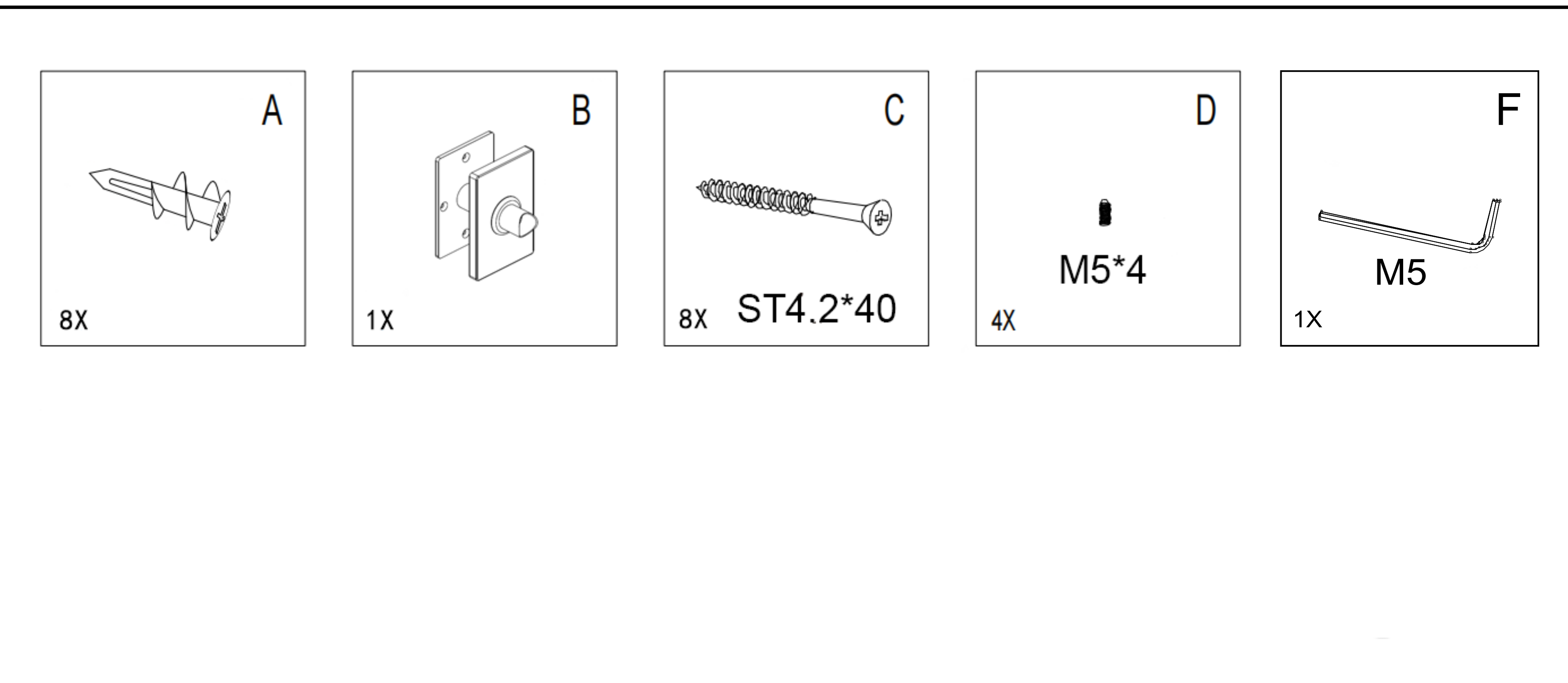
### OPERATING INSTRUCTION

- After installation, connect the electric power.
- Remove the protective cover from the switch and turn it to the on position.
- The indicator light will glow blue and the towel warmer will start to heat — Allow 10-20 minutes to heat up.
- This towel warmer has been designed to run continuously — Turn off the switch or unplug the cord when the towel warmer is not in use for long periods of time.
- Never use an extension cord for Plug-in models.

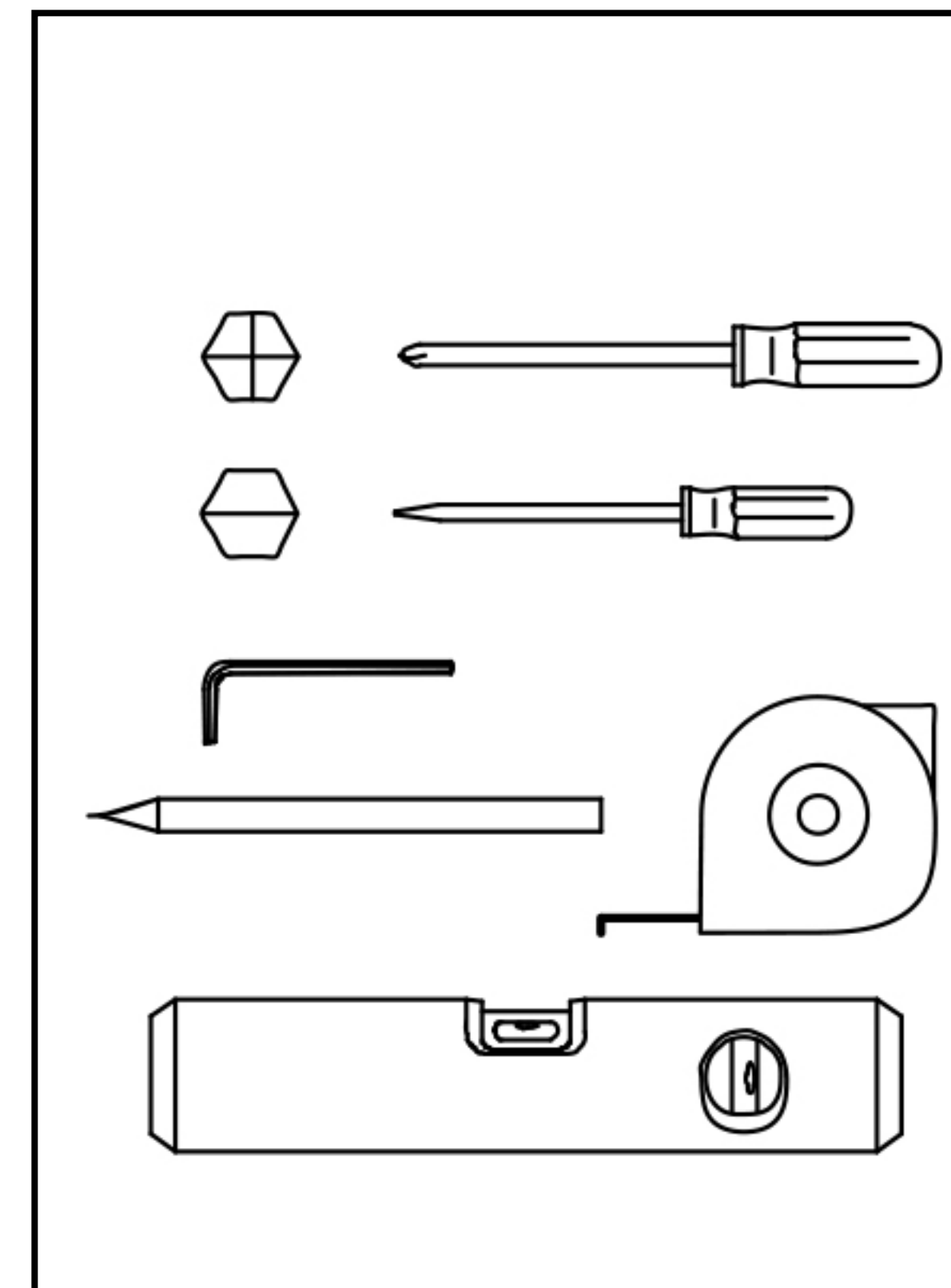
### CARE & MAINTENANCE

- Towels which contain soap or detergent residue may appear to have scorch marks; this is simply discoloration of the residue in the towels themselves.
- The unit is constructed from extremely durable 304 stainless steel. To maintain a good appearance, follow these simple instructions:
- For routine cleaning, simply switch off the unit, allow to cool to room temperature, wipe with a damp cloth and buff with a soft, dry cloth.
- Under no circumstances should abrasive cleaners be used to clean the unit.

### INCLUDED COMPONENTS



### TOOLS REQUIRED

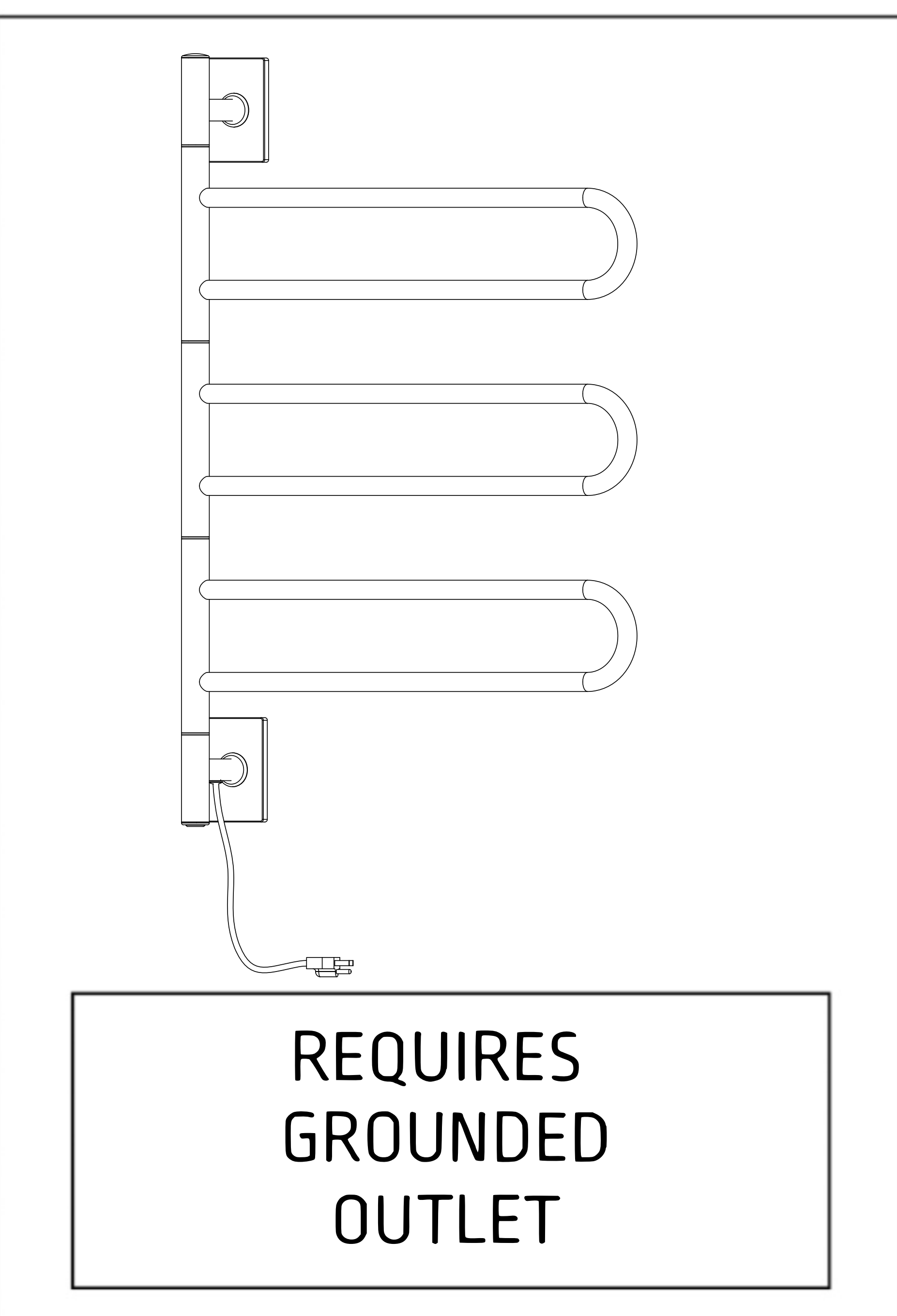


### WARRANTY

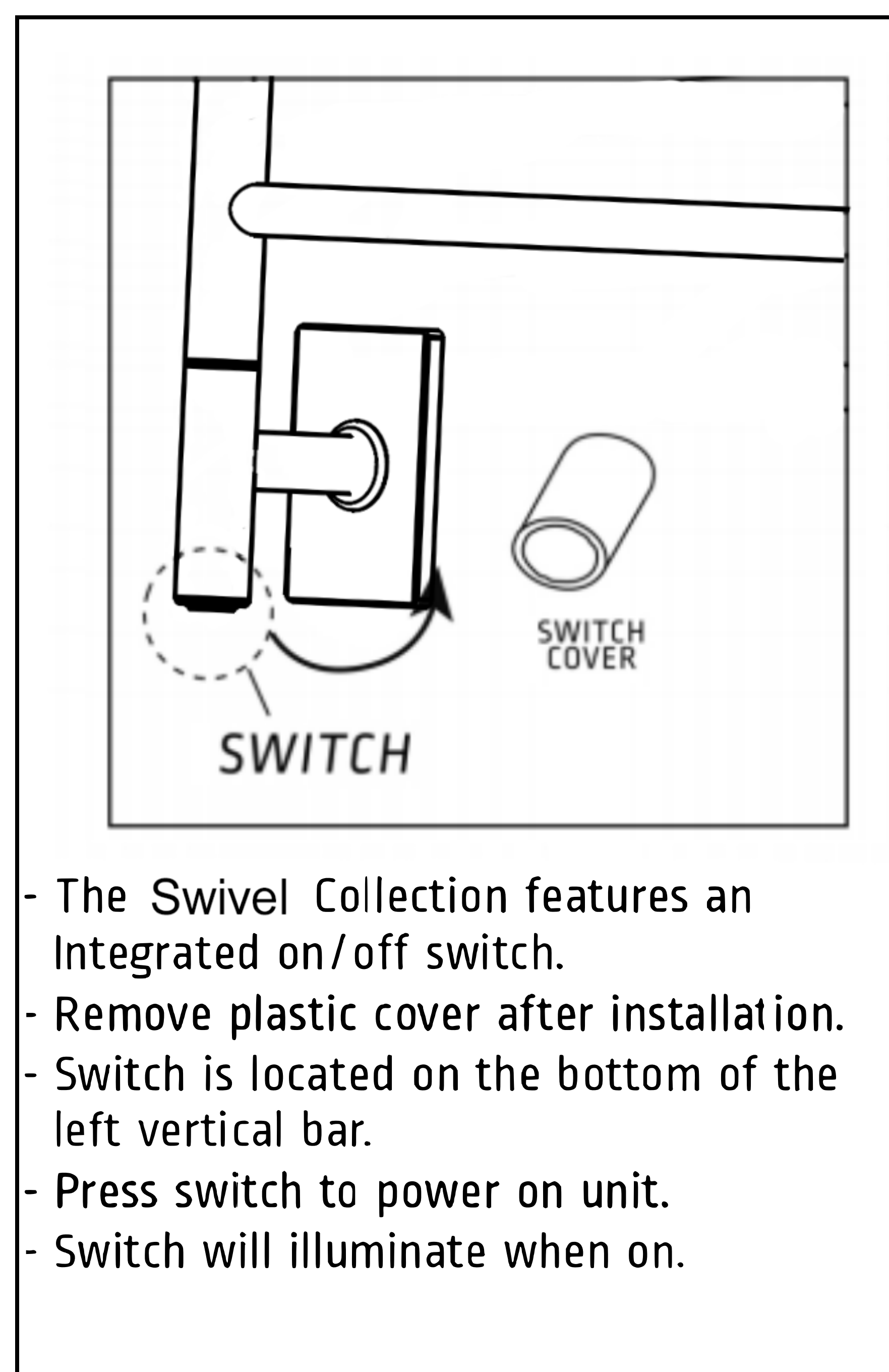
Two year limited warranty with proof of purchase will apply if all Terms and Conditions of Sale are met and Installation Instructions are adhered to.



### PLUG-IN INSTALLATION



### INTEGRATED SWITCH



### ELECTRICAL INFORMATION

**50 – 60 watts | 0.42 – 0.5 amps | 120 volts**

### AVAILABLE MODELS

SL3-B	SL3-P	SL3-MB
B-Brushed	P-Polished	MB-Matte Black

### CONTACT

TEL:  
404-350-9738

FAX:  
404-355-0166

EMAIL:  
customerservice@ambaproducts.com

WEB:  
www.ambaproducts.com

**! CAUTION — SURFACE OF UNIT IS HOT WHEN ON !**

# SWIVEL

## INSTALLATION INSTRUCTIONS — PLUG IN



BEFORE STARTING ASSEMBLY MAKE SURE ALL COMPONENTS LISTED ARE IN THE PACKAGE

**1**

Tips before installing:

2 9/25" 60 mm

29 23/25" 760 mm

**A**

**1**

Loosen setscrew by 2 turns and leave it on.

**2**

Take out the bracket.

**3**

Release the power cable to an appropriate length and proceed with the installation.

**2**

**1**

**2**

**3**

**1**

**2**

**4**

**4**

SWITCH

**DO NOT OVER-TIGHTEN SET SCREW**

**TURN UNIT ON WITH SWITCH**

**! CAUTION — SURFACE OF UNIT IS HOT WHEN ON !**

# SWIVEL

## INSTALLATION INSTRUCTIONS — HARDWIRED



BEFORE STARTING ASSEMBLY MAKE SURE ALL COMPONENTS LISTED ARE IN THE PACKAGE

\*\*\* For hardwired installation, cut the cord to the desired length. \*\*\*

**1**

2 9/25" 60 mm

29 23/25" 760 mm

ELECTRICAL BOX

Tips before installing:

**A**

**1**

**D**

**B**

**F**

Loosen setscrew by 2 turns and leave it on.

**2**

**B**

Take out the bracket.

**2** For Hardwired installation, cut the plug from the end of cable and feed the wire up and through the back of the wall bracket and follow wiring guide below

**B**

**C**

ELECTRICAL BOX

**WIRING GUIDE**

**A** BLACK (Hot)

**B** WHITE (Neutral)

**C** GREEN (Ground)

HOT LOAD [Black]

HEATED TOWEL RACK

NEUTRAL LOAD [White]

GROUND [Green]

ELECTRICAL BOX

**3**

**1**

**2**

**D**

**4**

SWITCH

DO NOT OVER-TIGHTEN SET SCREW

TURN UNIT ON WITH SWITCH

CAUTION — SURFACE OF UNIT IS HOT WHEN ON !