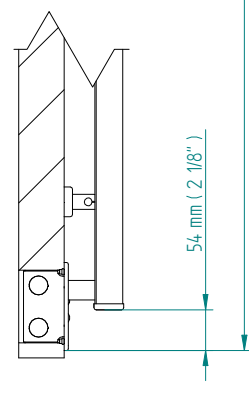
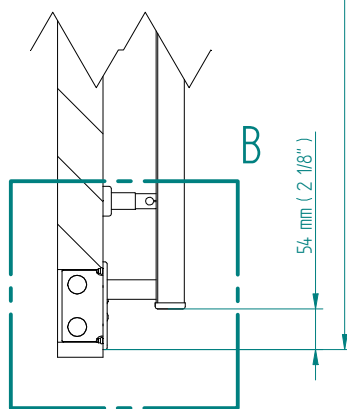
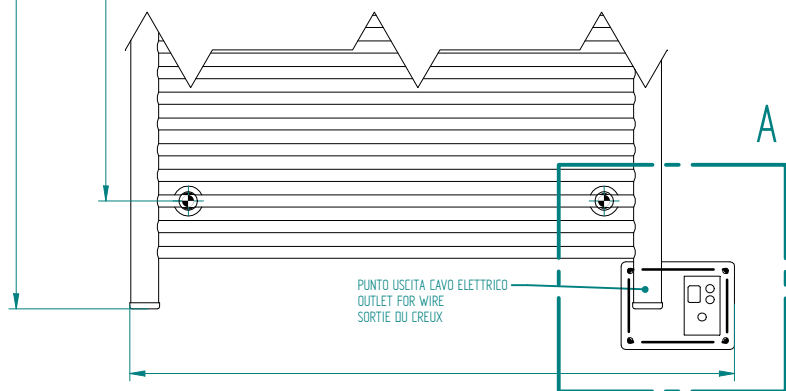
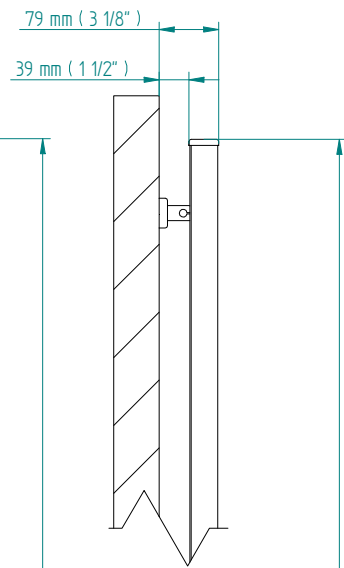
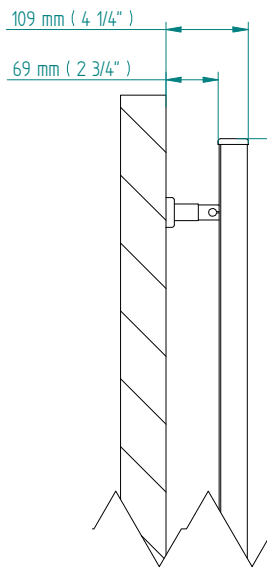
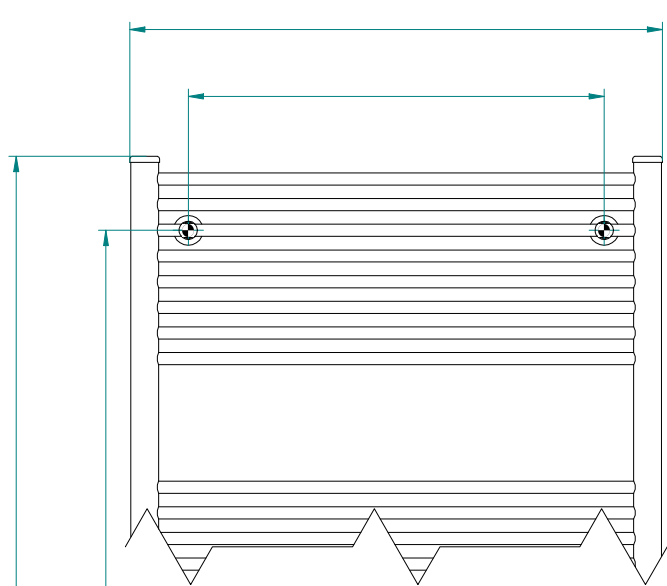
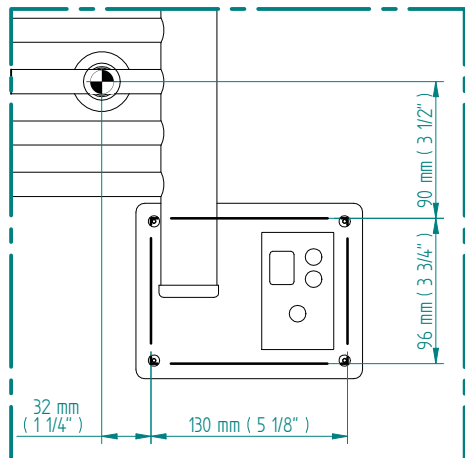


INGOMBRO CON ATTACCO LUNGO  
MEASUREMENTS WITH LONG BRACKETS  
MEASUREMENTS AVEC ATTACHE LONG

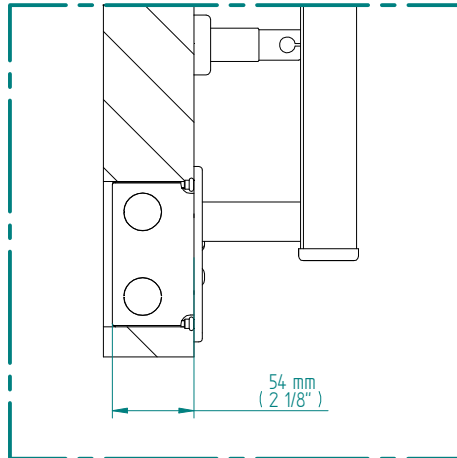
INGOMBRO CON ATTACCO STANDARD  
MEASUREMENTS WITH STANDARD BRACKETS  
MEASUREMENTS AVEC ATTACHE STANDARD



DETAIL A



DETAIL B



FORO PER INSERIMENTO TASSELLO A MURO 8x40.  
POSITIONING OF FASTENERS FOR FIXING TO WALL (8x40)  
FASTENERS SHOULD BE SECURED IN STUDS OR HEADERS PLACES BEHIND THE UNIT  
TROU POUR LA CHEVILLE A MUR 8x40.