

ANTUS

1018 x 700
mm mm

40 1/4 x 27 1/2
inches inches

Elettrico / electric / électrique

CODICE / CODE

RS237020SN RS247020SN
RL237020SN RL247020SN

H

1021 mm
40 1/4 inches

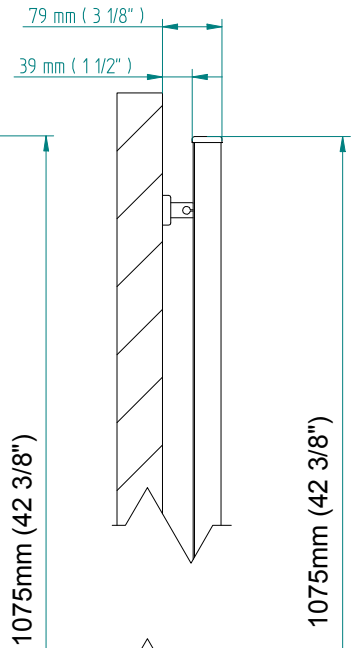
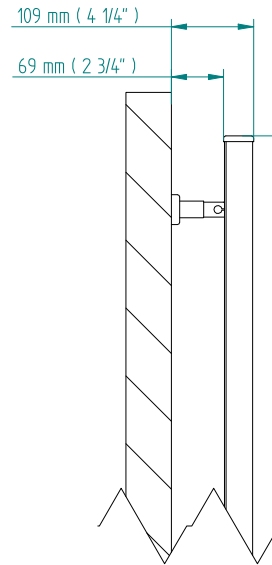
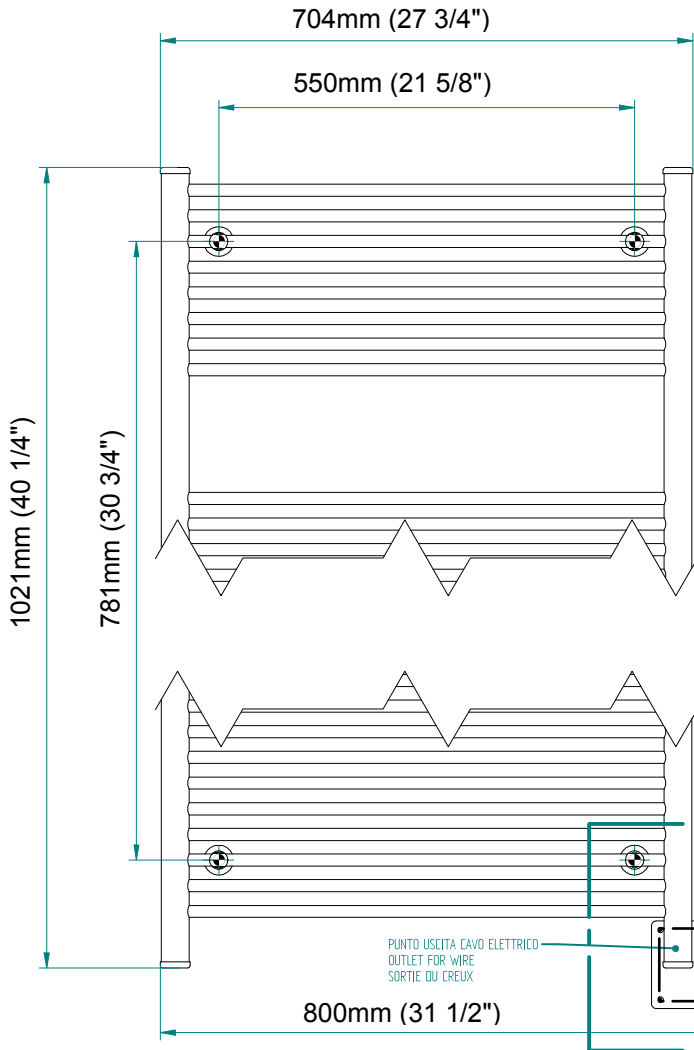
L

704 mm
27 3/4 inches

REGOLATORE DI POTENZA
DIGITAL HEAT CONTROLLER
REGULATEUR DE PUISSANCE

INGOMBRO CON ATTACCO LUNGO
MEASUREMENTS WITH LONG BRACKETS
MEASUREMENTS AVEC ATTACHE LONG

INGOMBRO CON ATTACCO STANDARD
MEASUREMENTS WITH STANDARD BRACKETS
MEASUREMENTS AVEC ATTACHE STANDARD



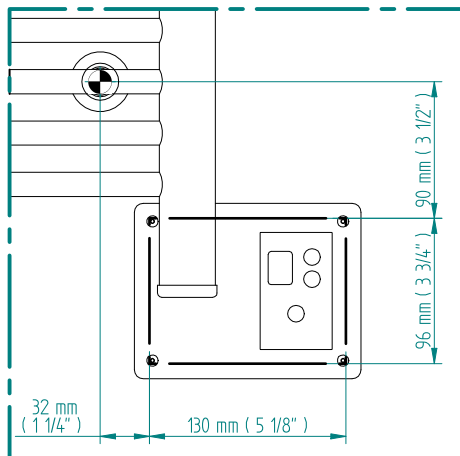
A

B

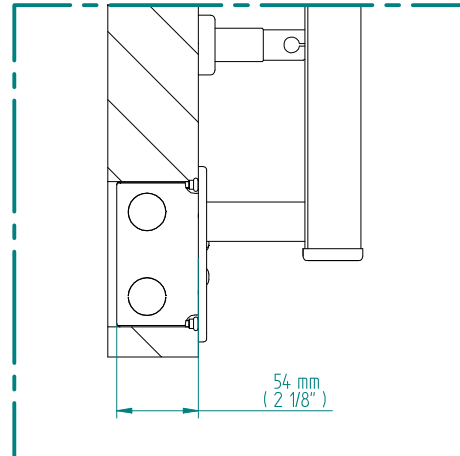
54 mm (2 1/8")

54 mm (2 1/8")

DETAIL A



DETAIL B



FORO PER INSERIMENTO TASSELLO A MURO 6X30
POSITIONING OF FASTENERS FOR FIXING TO WALL
FASTENERS SHOULD BE SECURED IN DTUDS OR HEADERS PLACES BEHIND THE UNIT
TROU POUR LA CHEVILLE A MUR

Femmestee®