

ANTUS

2038 x 500
mm mm

80 3/8
inches

x 19 3/4
inches

Elettrico / electric / électrique

CODICE / CODE

RS235050SN RS245050SN
RL235050SN RL245050SN

H

2041 mm
80 3/8 inches

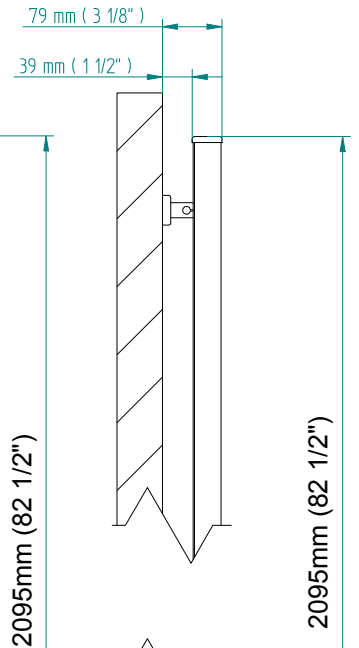
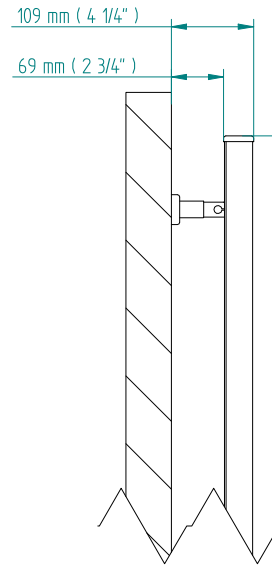
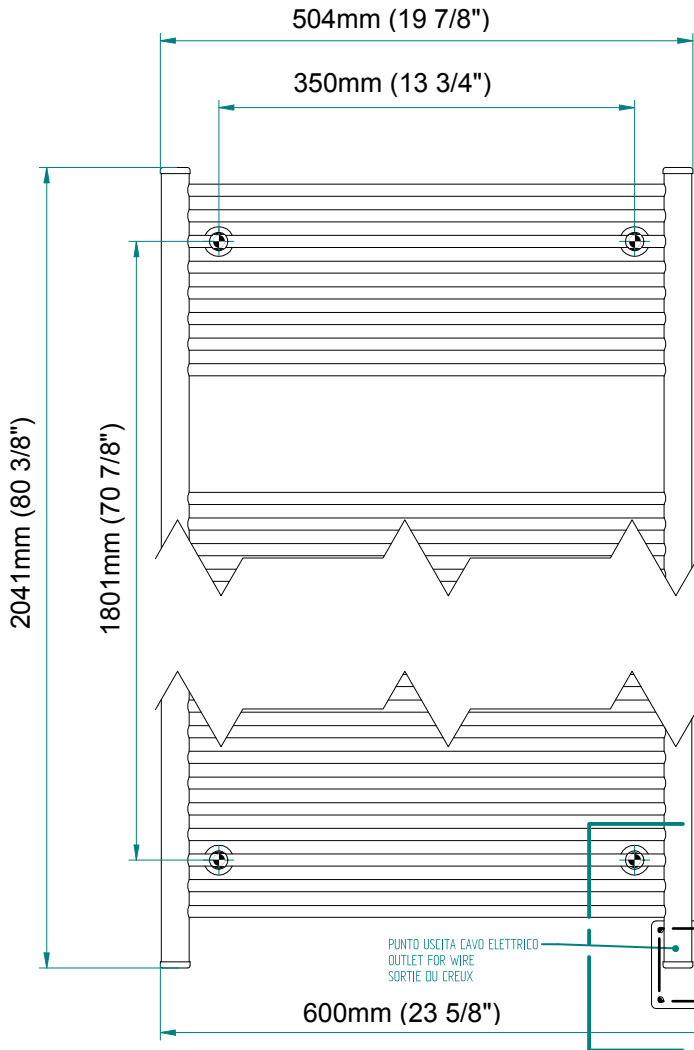
L

504 mm
19 7/8 inches

REGOLATORE DI POTENZA
DIGITAL HEAT CONTROLLER
REGULATEUR DE PUISSANCE

INGOMBRO CON ATTACCO LUNGO
MEASUREMENTS WITH LONG BRACKETS
MEASUREMENTS AVEC ATTACHE LONG

INGOMBRO CON ATTACCO STANDARD
MEASUREMENTS WITH STANDARD BRACKETS
MEASUREMENTS AVEC ATTACHE STANDARD



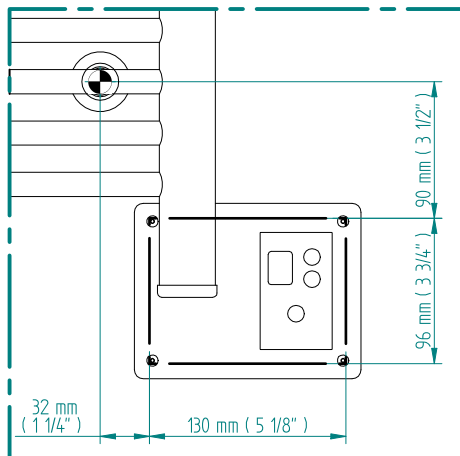
A

B

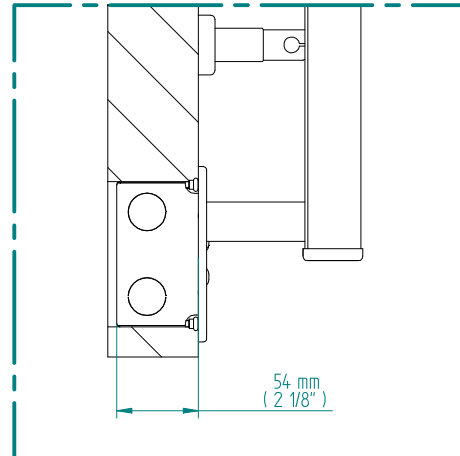
54 mm (2 1/8")

54 mm (2 1/8")

DETAIL A



DETAIL B



FORO PER INSERIMENTO TASSELLO A MURO 6X30
POSITIONING OF FASTENERS FOR FIXING TO WALL
FASTENERS SHOULD BE SECURED IN DTUDS OR HEADERS PLACES BEHIND THE UNIT
TROU POUR LA CHEVILLE A MUR

Femmestee®