

ANTUS

1018 x 500
mm mm

40 1/4 x 19 3/4
inches inches

Elettrico / electric / électrique

CODICE / CODE

RS235020SN RS245020SN
RL235020SN RL245020SN

H

1021 mm
40 1/4 inches

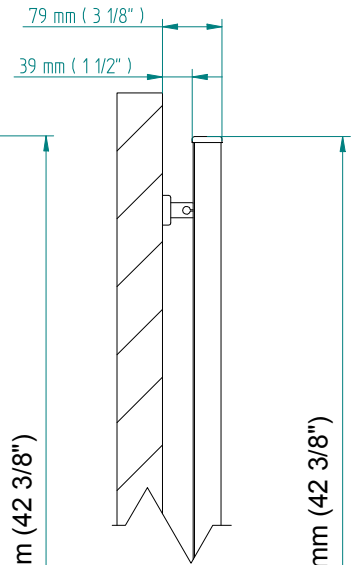
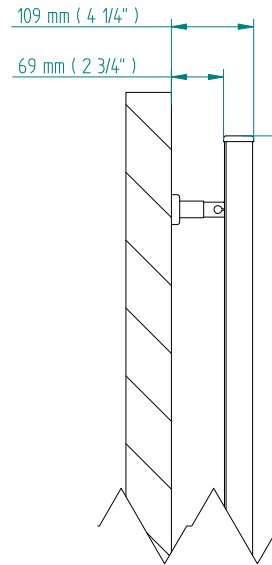
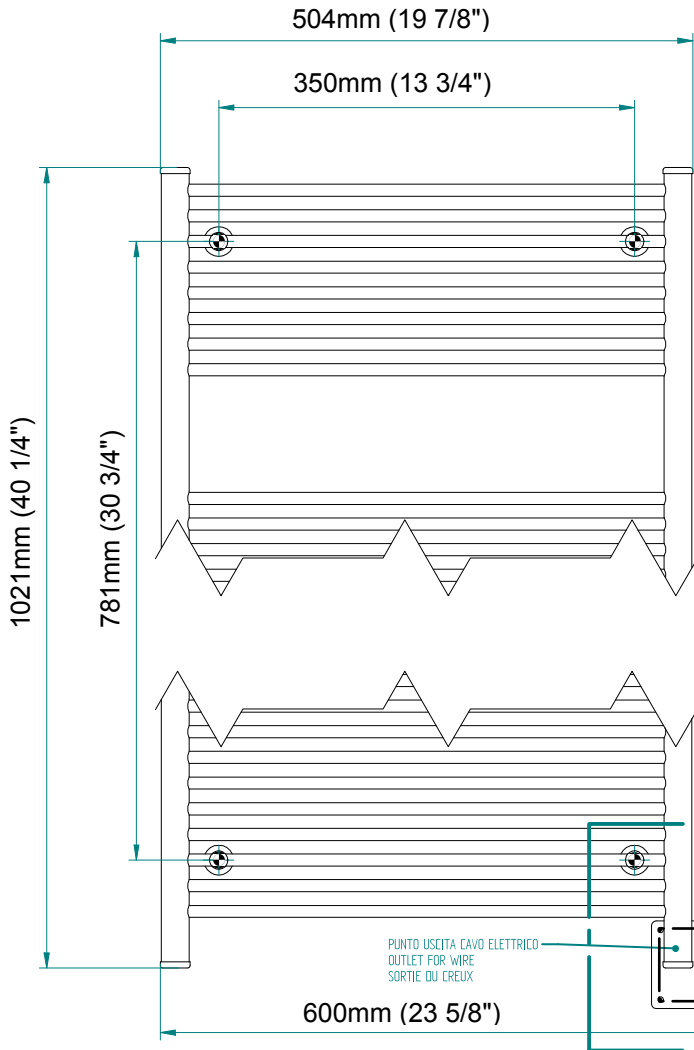
L

504 mm
19 7/8 inches

REGOLATORE DI POTENZA
DIGITAL HEAT CONTROLLER
REGULATEUR DE PUISSANCE

INGOMBRO CON ATTACCO LUNGO
MEASUREMENTS WITH LONG BRACKETS
MEASUREMENTS AVEC ATTACHE LONG

INGOMBRO CON ATTACCO STANDARD
MEASUREMENTS WITH STANDARD BRACKETS
MEASUREMENTS AVEC ATTACHE STANDARD

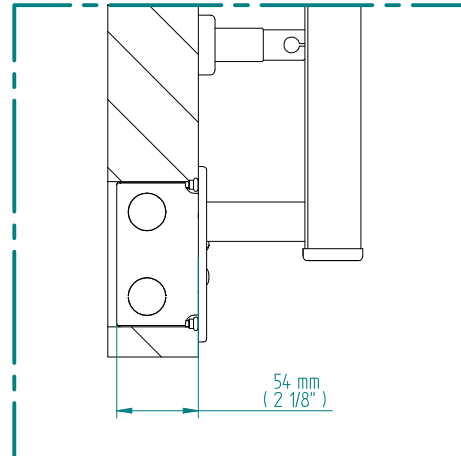
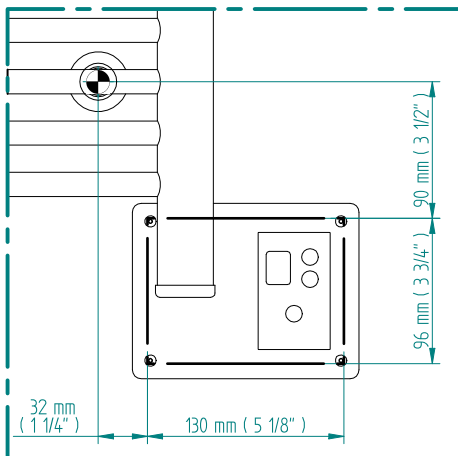


A

B

DETAIL A

DETAIL B



FORO PER INSERIMENTO TASSELLO A MURO 6X30
POSITIONING OF FASTENERS FOR FIXING TO WALL
FASTENERS SHOULD BE SECURED IN DTUDS OR HEADERS PLACES BEHIND THE UNIT
TROU POUR LA CHEVILLE A MUR

FemmesteeL®