

QUADRO 1084 x 420

mm

mm

42 5/8
inchesx 16 1/2
inches

Elettrico / electric / électrique

CODICE / CODE

RS434016SN	RS444016SN
RL434016SN	RL444016SN
RV434016SN	RV444016SN

H

1084 mm
42 5/8 inches

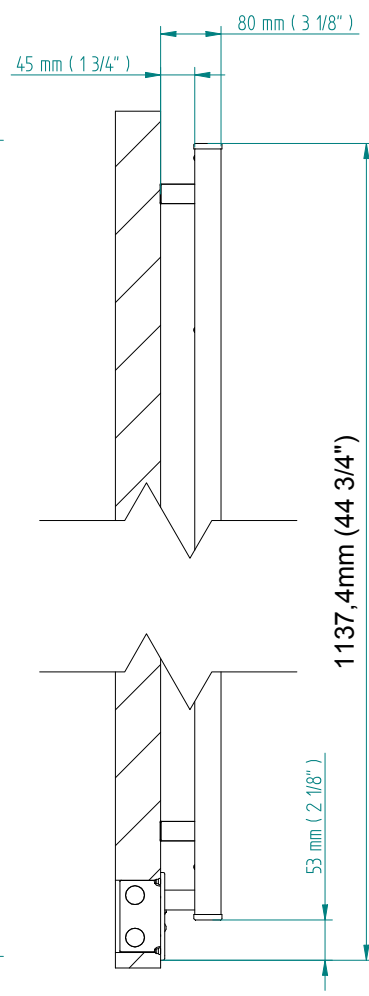
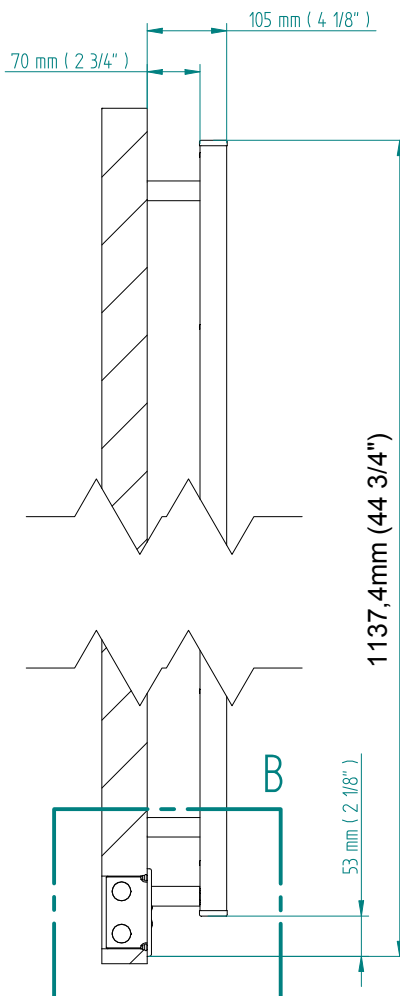
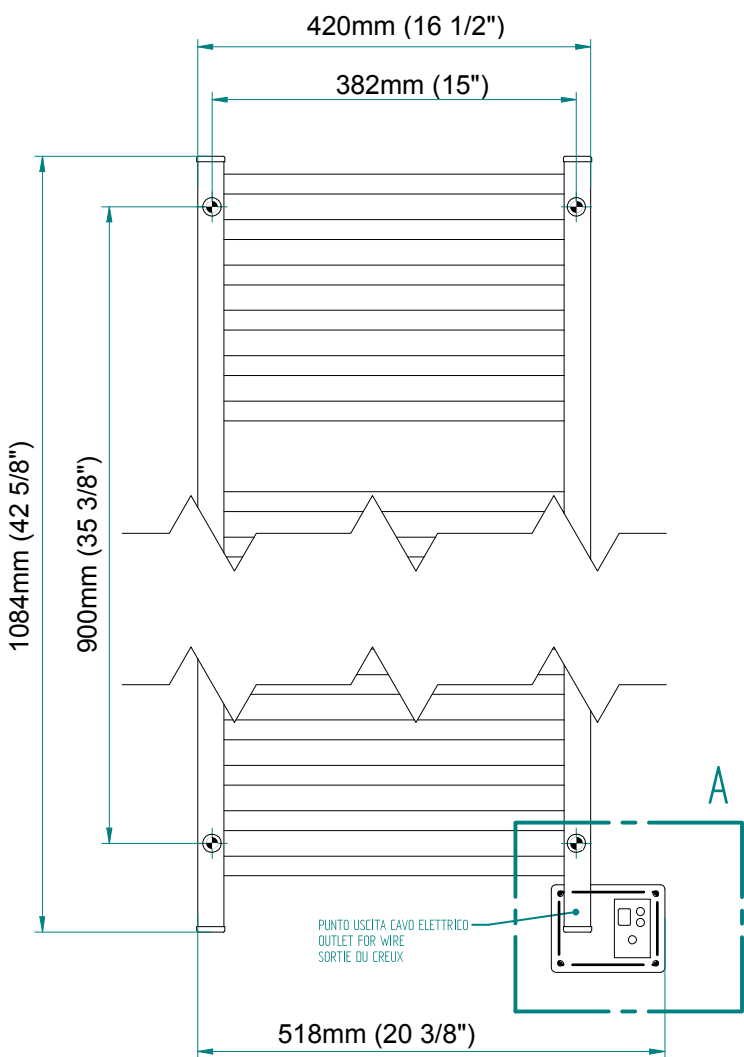
L

420 mm
16 1/2 inches

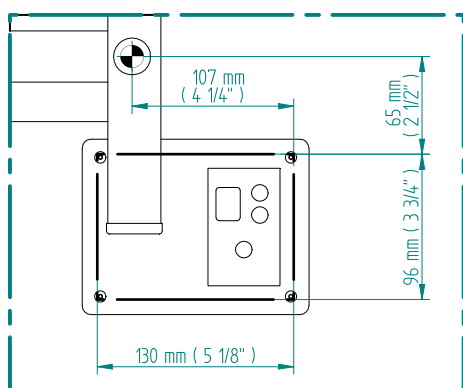
REGOLATORE DI POTENZA
DIGITAL HEAT CONTROLLER
REGULATEUR DE PUISSANCE

INGOMBRO CON ATTACCO LUNGO
MEASUREMENTS WITH LONG BRACKETS
MEASUREMENTS AVEC ATTACHE LONG

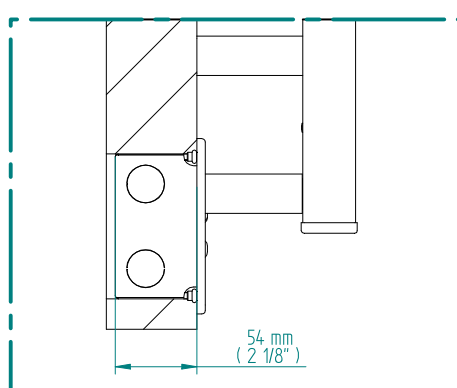
INGOMBRO CON ATTACCO STANDARD
MEASUREMENTS WITH STANDARD BRACKETS
MEASUREMENTS AVEC ATTACHE STANDARD



DETAIL A



DETAIL B



FORO PER INSERIMENTO TASSELLO A MURO 6X30
POSITIONING OF FASTENERS FOR FIXING TO WALL
FASTENERS SHOULD BE SECURED IN DTUDS OR HEADERS PLACES BEHIND THE UNIT
TROU POUR LA CHEVILLE A MUR