

RADIANT SMALL

INSTALLATION INSTRUCTIONS



Please read the following information before installing and using your Heated Towel Rack.
 *** FOR HARDWIRE INSTALLATION PLS SEE PAGE 3. ***

WARNINGS

- These units should be installed by a certified electrician in accordance with the National Electrical Code (NEC) and the Canadian Electrical Code (CEC).
- The unit requires a 120 volt, 60Hz power source and should be installed on a GFCI protected circuit.
- Plug-in units should be connected to a grounded outlet with a minimum rating of 10 amps.
- Follow installation instructions to ensure unit is securely fixed to wall. Unit is designed for drying towels. Under no circumstances should anybody climb on or hang on unit.
- Unit is intended for indoor use only. Do not place units inside a shower, sauna, steam room, or wherever unit would be exposed to water.

CAUTION

- As this is a heating device, the surface temperature can increase depending on the ambient temperature in the room and the number of towels applied to the unit.
- Overloading the unit with more than one towel can cause the unit to become extremely hot and may result in a burn if touched and/or damage to towels
- The fasteners provided with the installation kit are for convenience only and are not suitable for all installation conditions.
- It is the ultimate responsibility of the installer to ensure suitable mounting hardware is used.

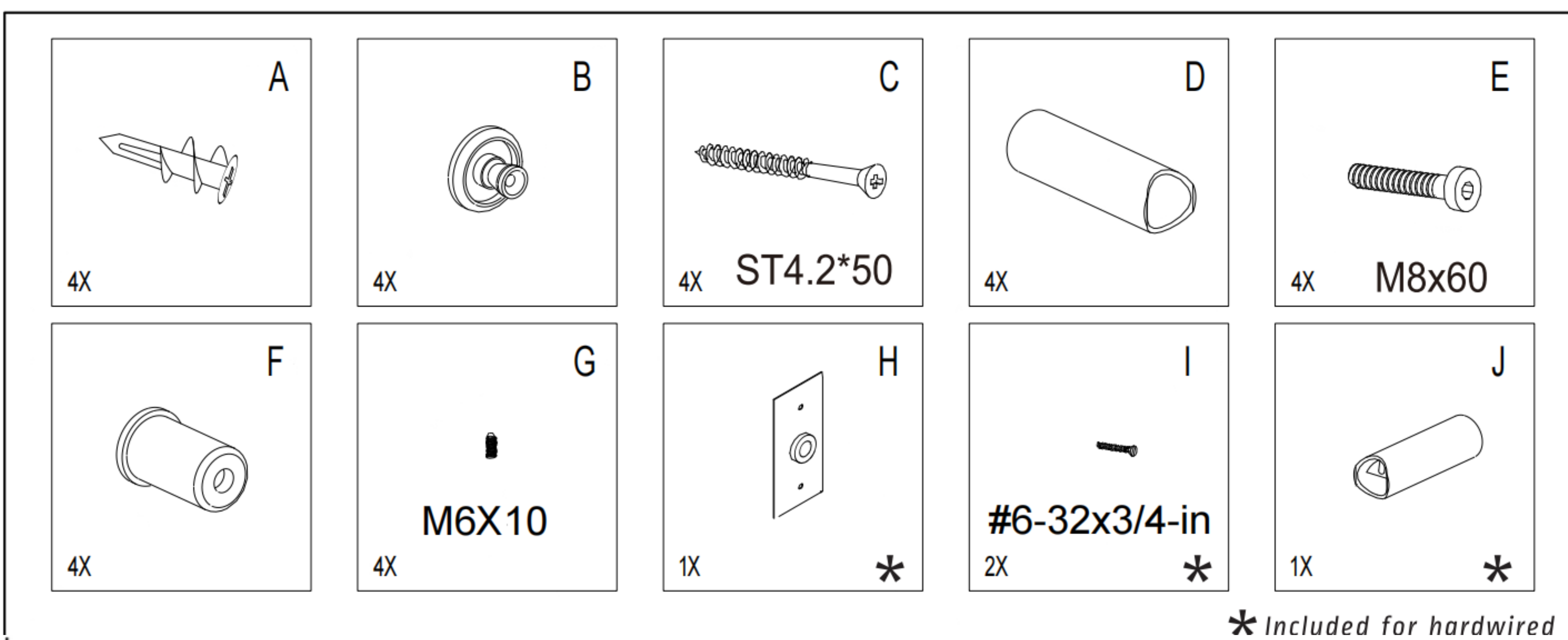
OPERATING INSTRUCTION

- After installation, connect the electric power.
- Remove the protective cover from the switch and turn it to the on position.
- The indicator light will glow blue and the towel warmer will start to heat — Allow 10-20 minutes to heat up.
- This towel warmer has been designed to run continuously — Turn off the switch or unplug the cord when the towel warmer is not in use for long periods of time.
- Never use an extension cord for Plug-in models.

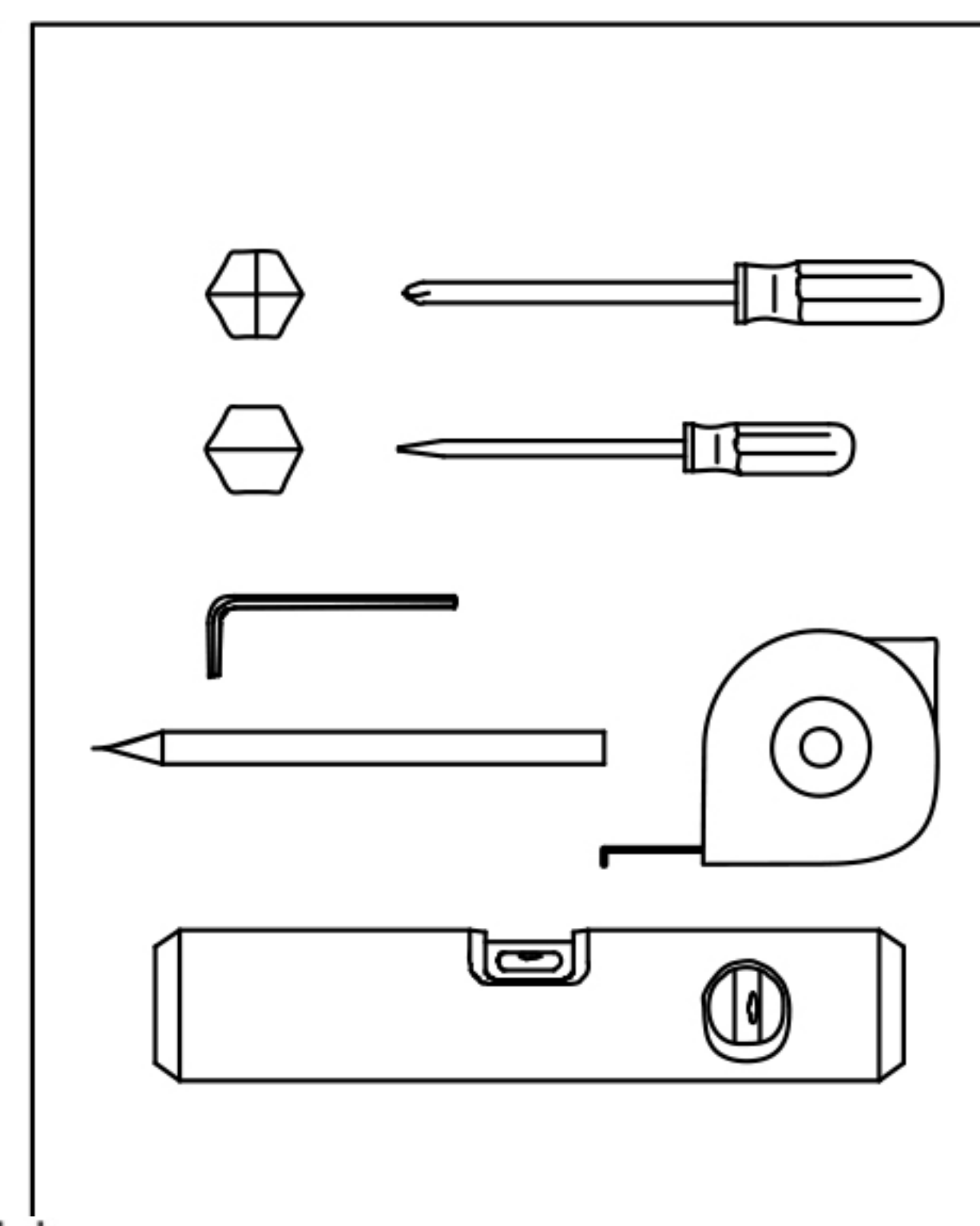
CARE & MAINTENANCE

- Towels which contain soap or detergent residue may appear to have scorch marks; this is simply discoloration of the residue in the towels themselves.
- The unit is constructed from extremely durable 304 stainless steel. To maintain a good appearance, follow these simple instructions:
- For routine cleaning, simply switch off the unit, allow to cool to room temperature, wipe with a damp cloth and buff with a soft, dry cloth.
- Under no circumstances should abrasive cleaners be used to clean the unit.

INCLUDED COMPONENTS



TOOLS REQUIRED

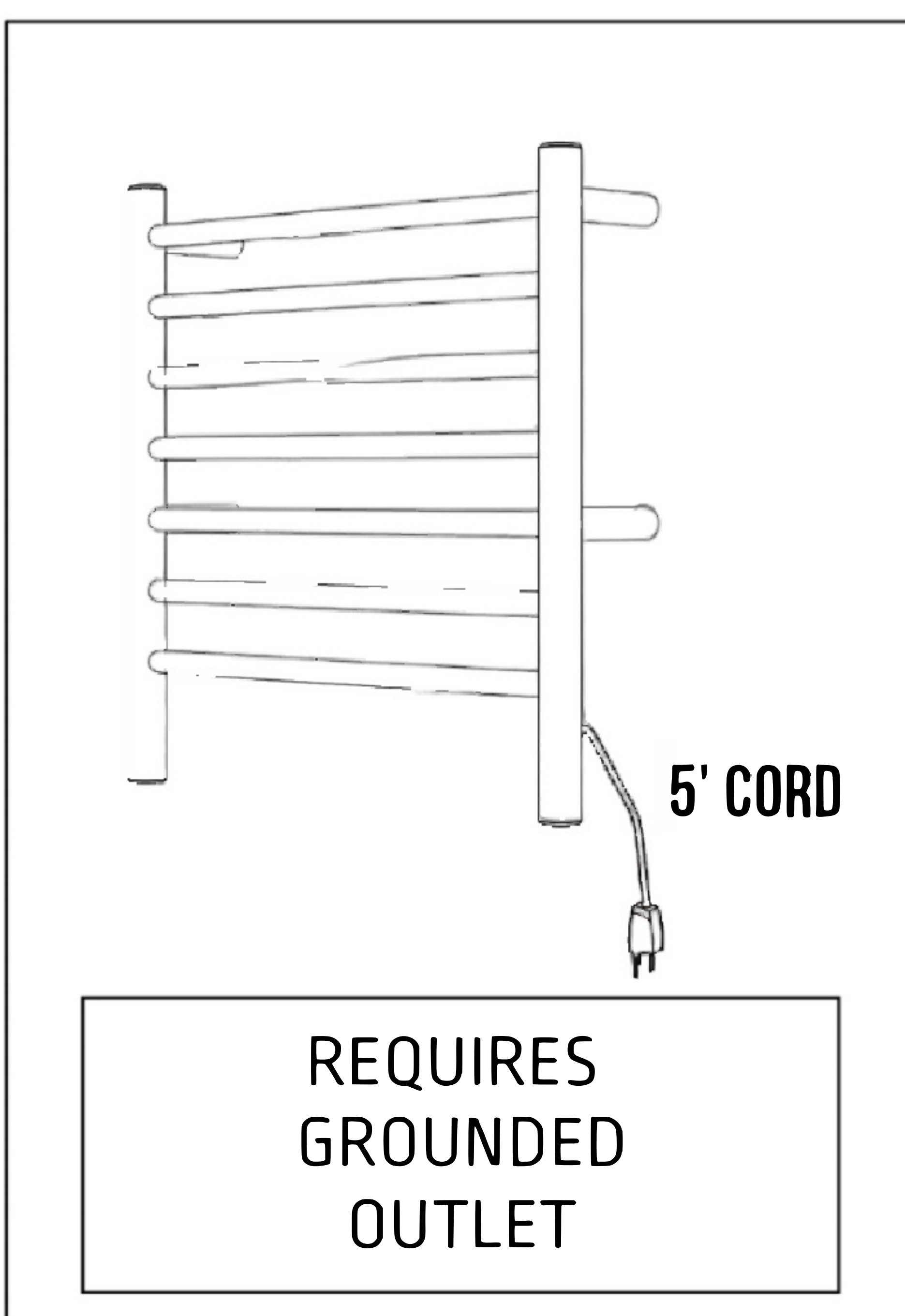


WARRANTY

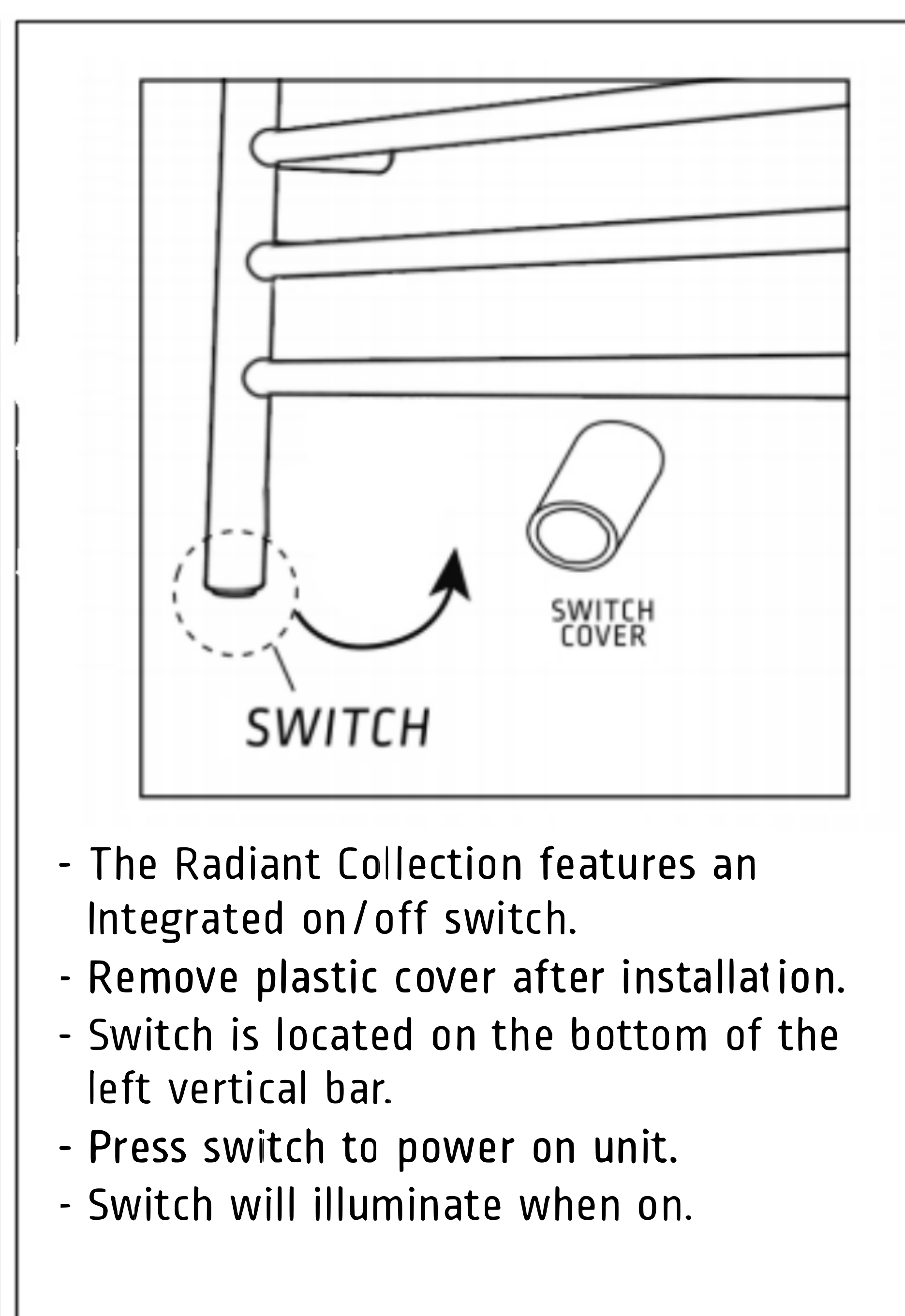
Two year limited warranty with proof of purchase will apply if all Terms and Conditions of Sale are met and Installation Instructions are adhered to.



PLUG-IN INSTALLATION



INTEGRATED SWITCH



ELECTRICAL INFORMATION

60–80 watts | 0.5–0.67 amps | 120 volts

AVAILABLE MODELS

RWHS-SP RWHS-SB RWHS-SMB RWHS-SSB RWHS-SPG
 P-Polished B-Brushed MB-Matte Black SB-Satin Brass PG-Polished Gold

CONTACT

TEL:
404-350-9738

FAX:
404-355-0166

EMAIL:
customerservice@ambaproducts.com

WEB:
www.ambaproducts.com

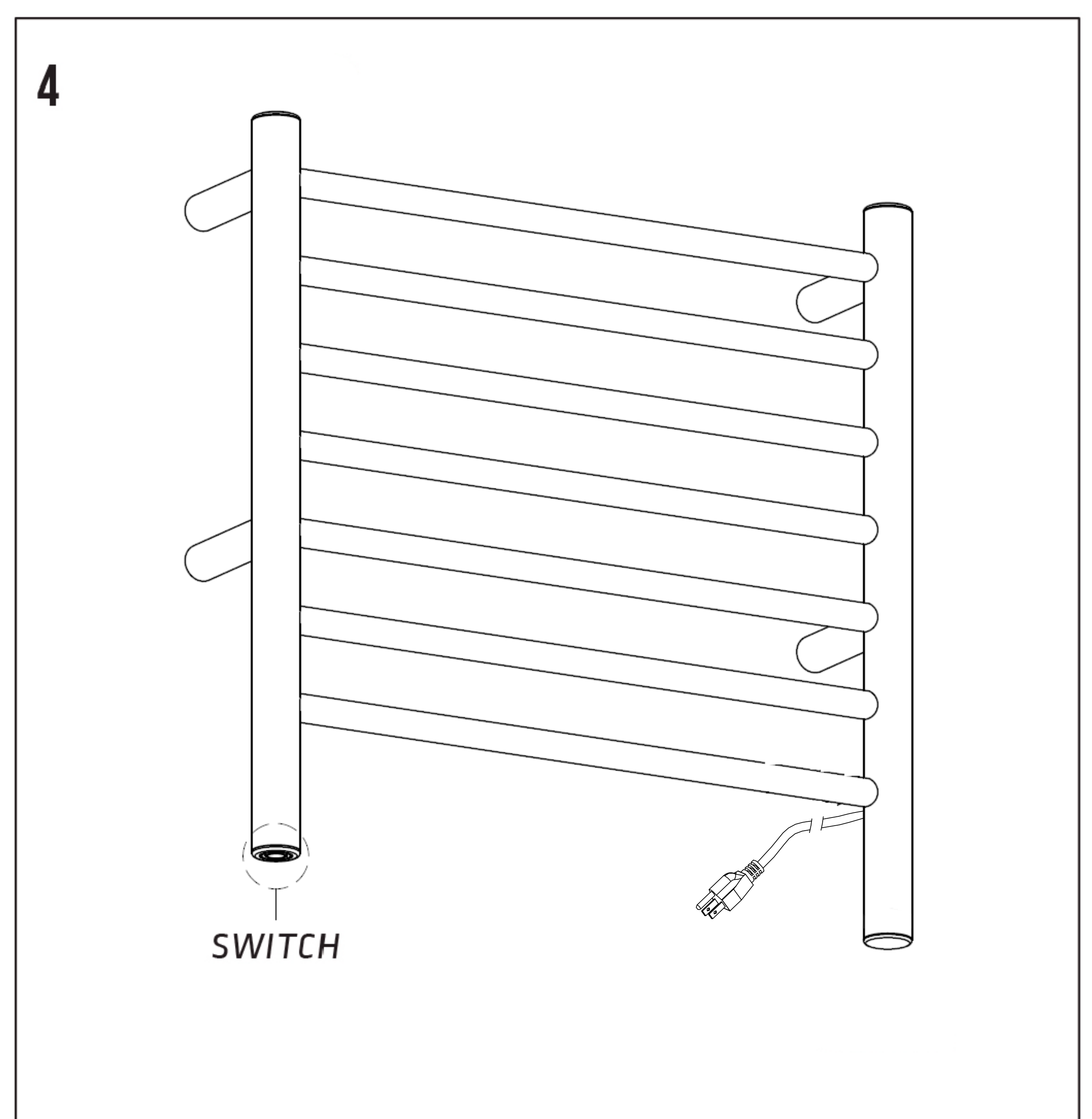
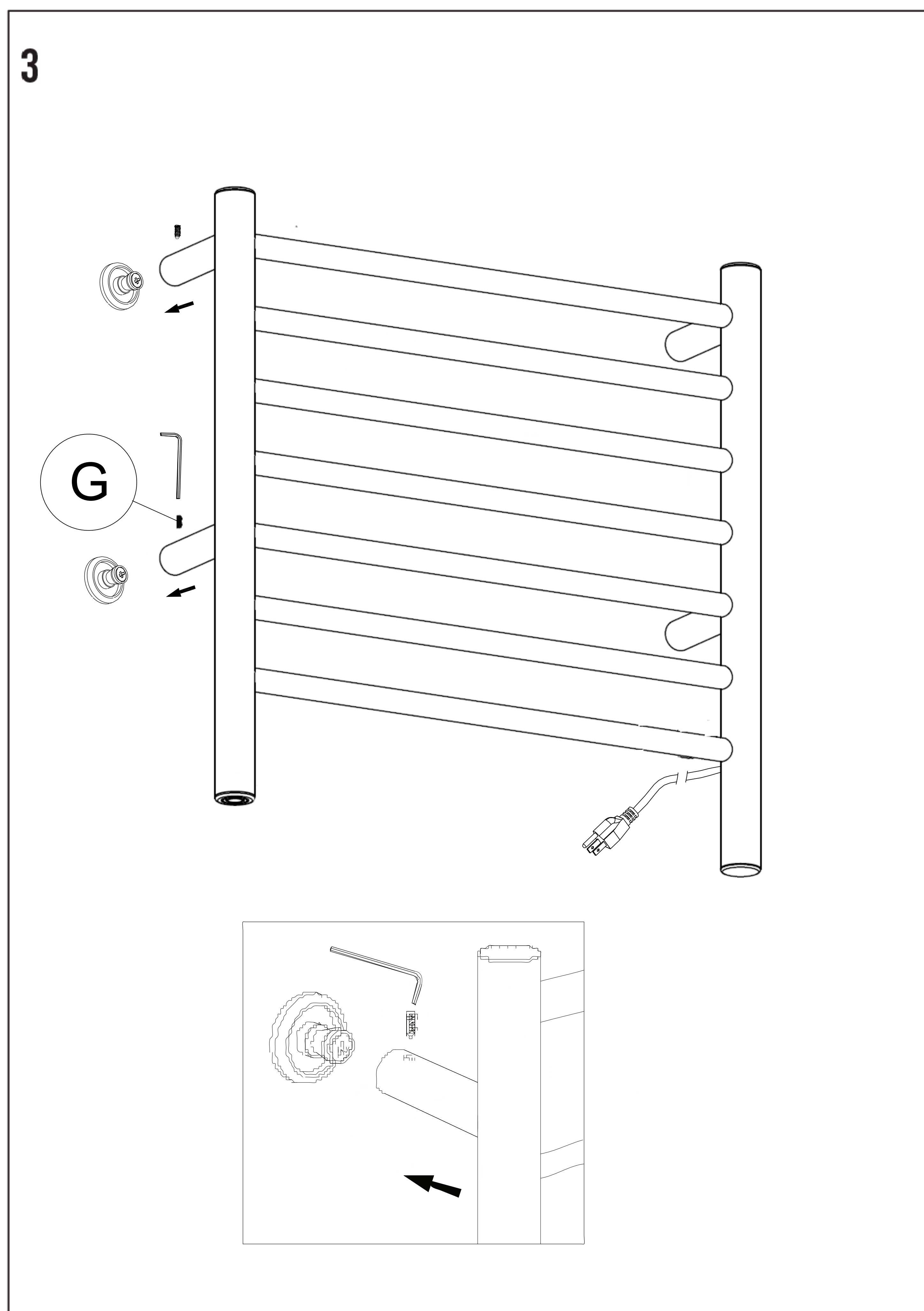
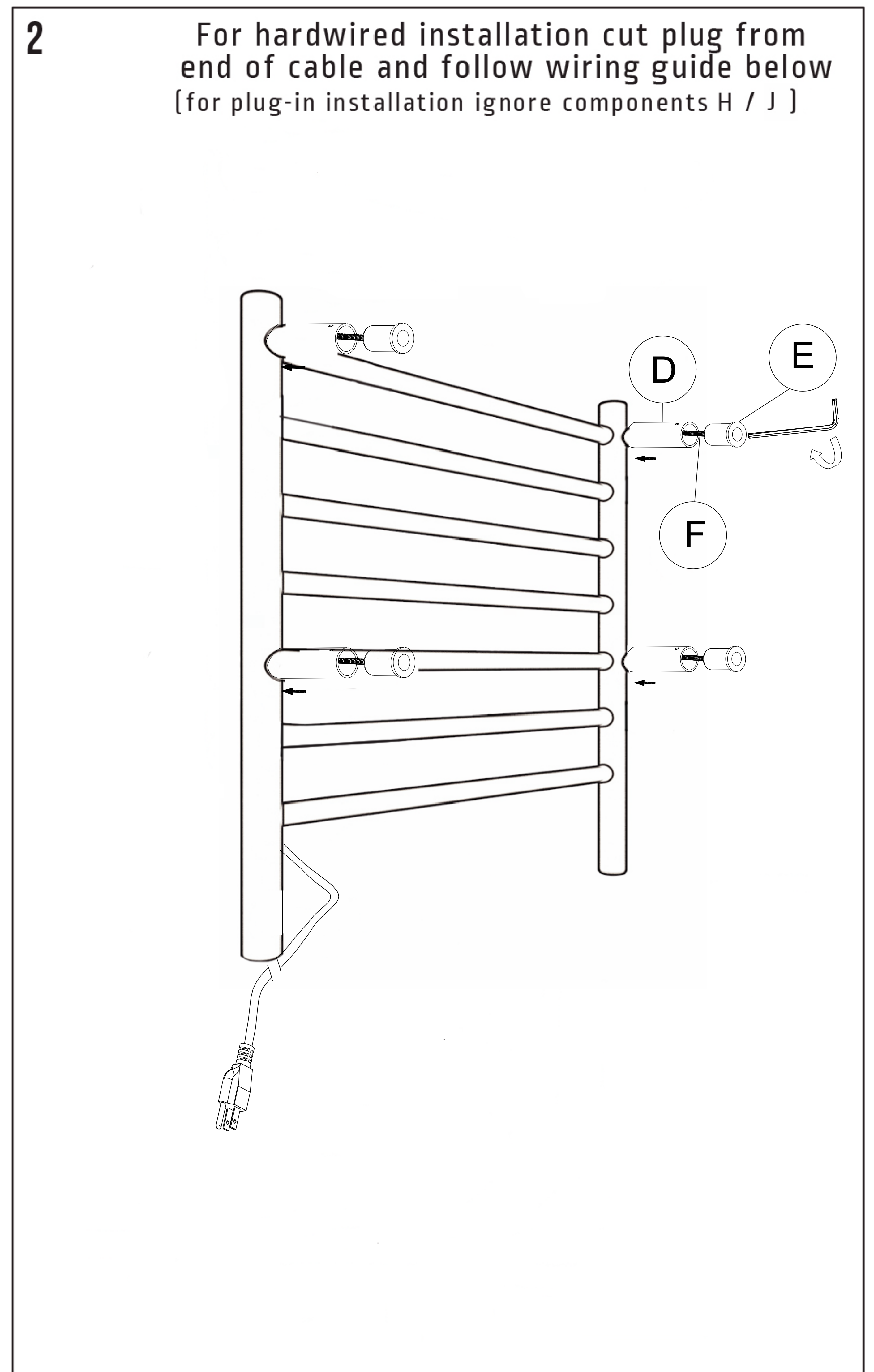
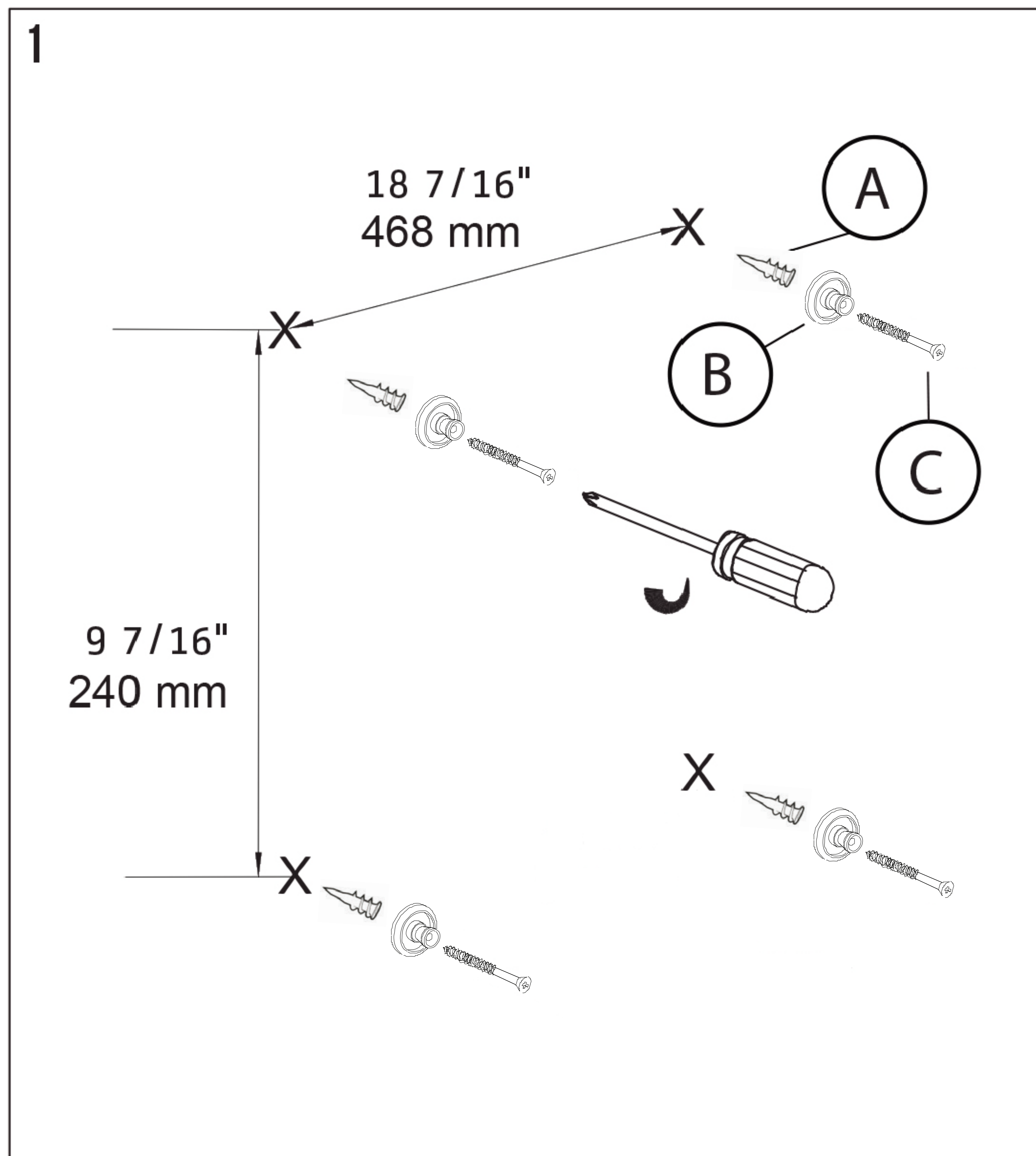
! CAUTION — SURFACE OF UNIT IS HOT WHEN ON !

RADIANT SMALL

INSTALLATION INSTRUCTIONS — PLUG IN



BEFORE STARTING ASSEMBLY MAKE SURE ALL COMPONENTS LISTED ARE IN THE PACKAGE



DO NOT OVER-TIGHTEN SET SCREW

TURN UNIT ON WITH SWITCH

! CAUTION — SURFACE OF UNIT IS HOT WHEN ON !

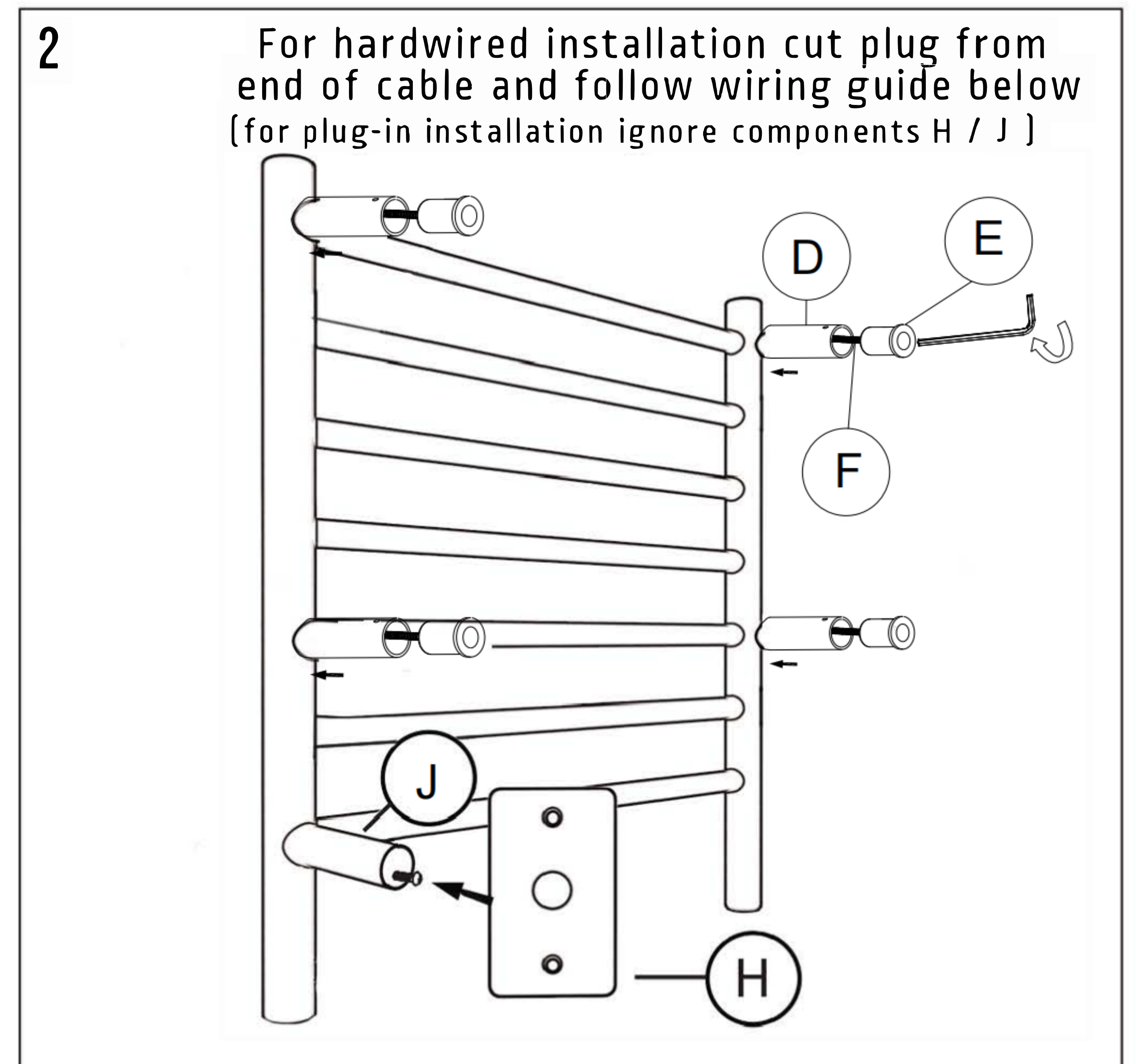
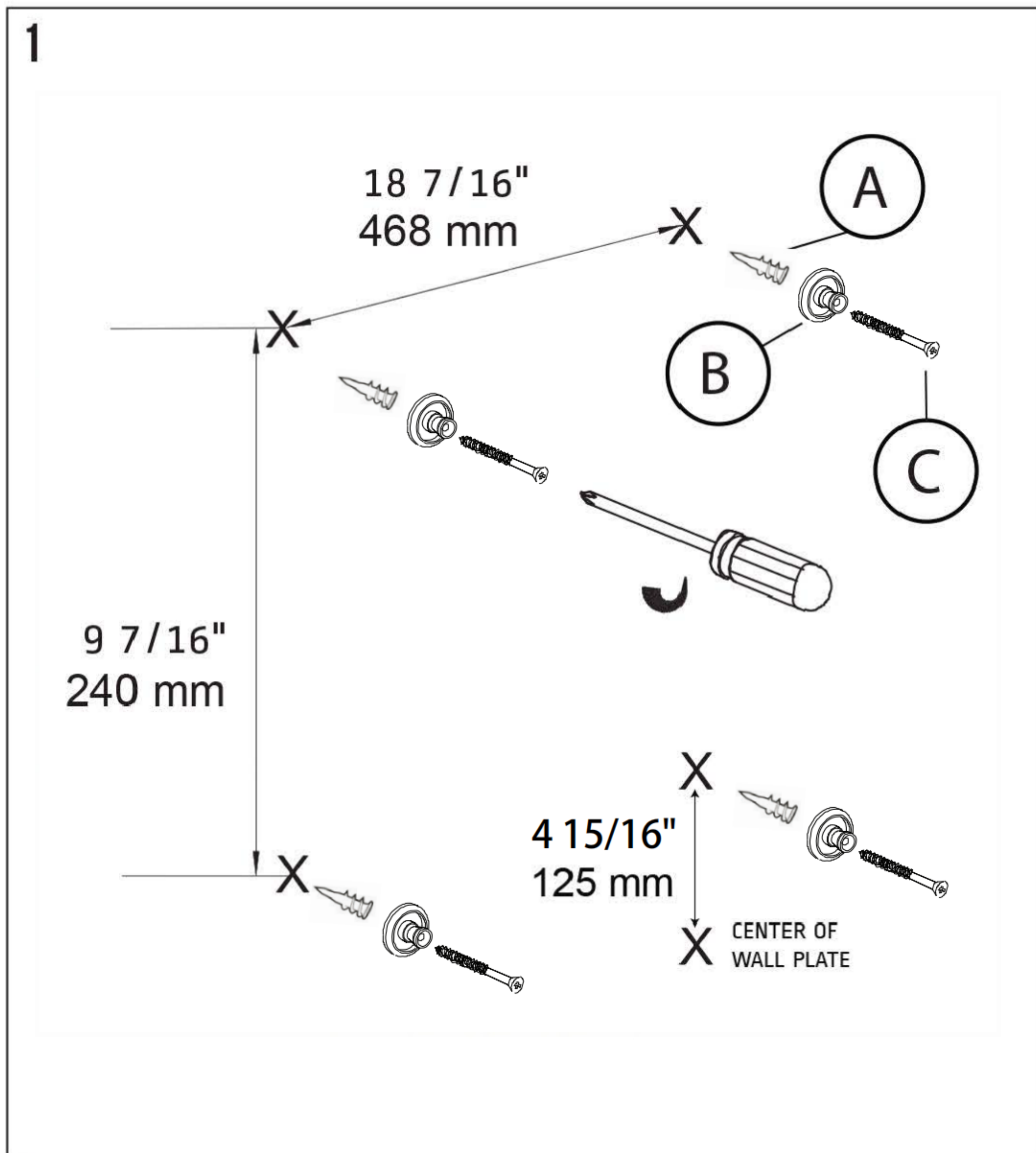
RADIANT SMALL

INSTALLATION INSTRUCTIONS — HARDWIRED

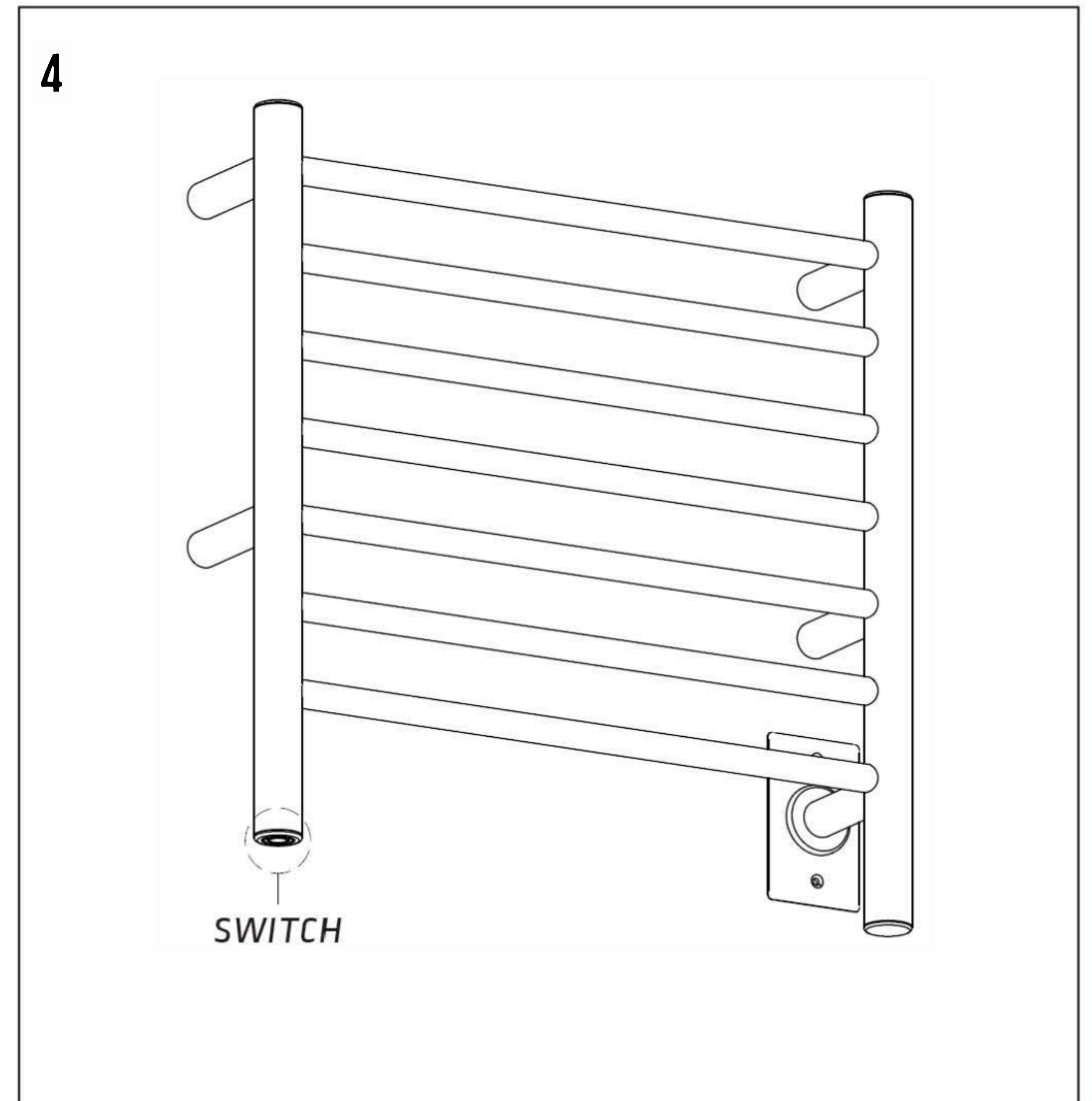
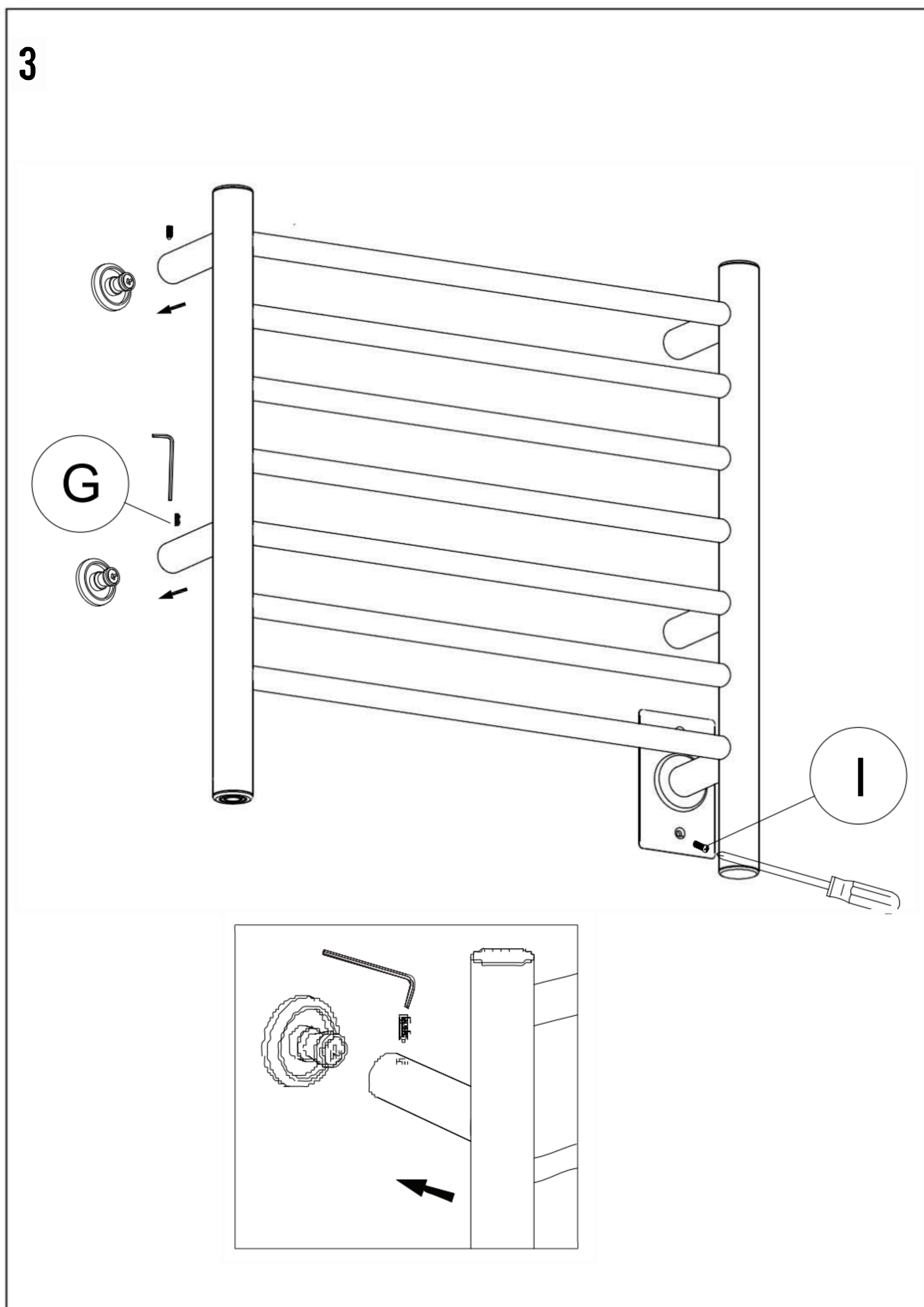
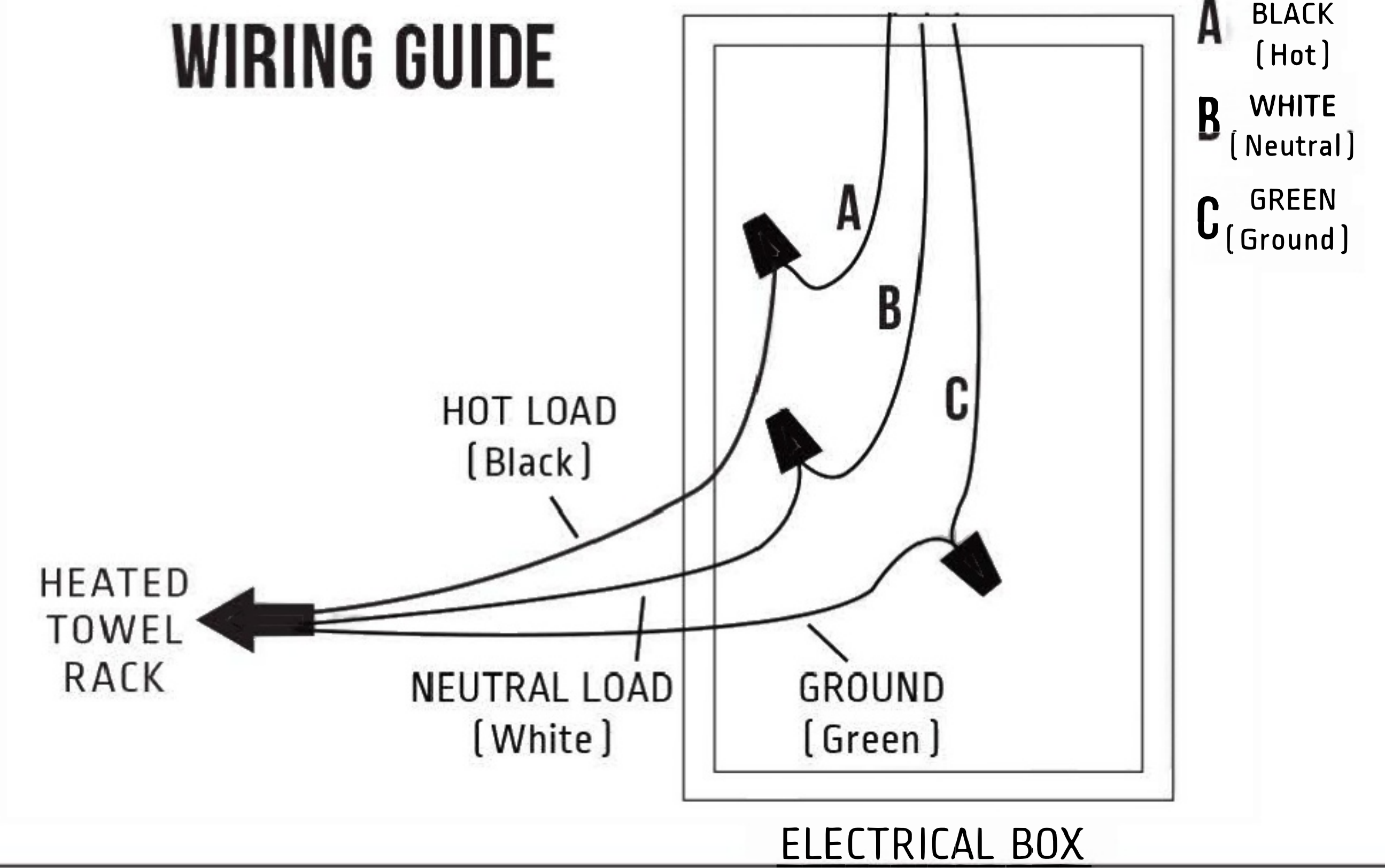


BEFORE STARTING ASSEMBLY MAKE SURE ALL COMPONENTS LISTED ARE IN THE PACKAGE

*** For hardwired installation, cut the cord to the desired length. ***



WIRING GUIDE



DO NOT OVER-TIGHTEN SET SCREW

TURN UNIT ON WITH SWITCH

CAUTION — SURFACE OF UNIT IS HOT WHEN ON !