

VEGA 580 x 1418
mm mm

V-2356 P/B/O
23 x 56 inches

Elettrico / electric / électrique

CODICE / CODE

RS162012SS	RS172012SS
RL162012SS	RL172012SS
RV162012SS	RV172012SS
220v	115v

W

580 mm
22 7/8 inches

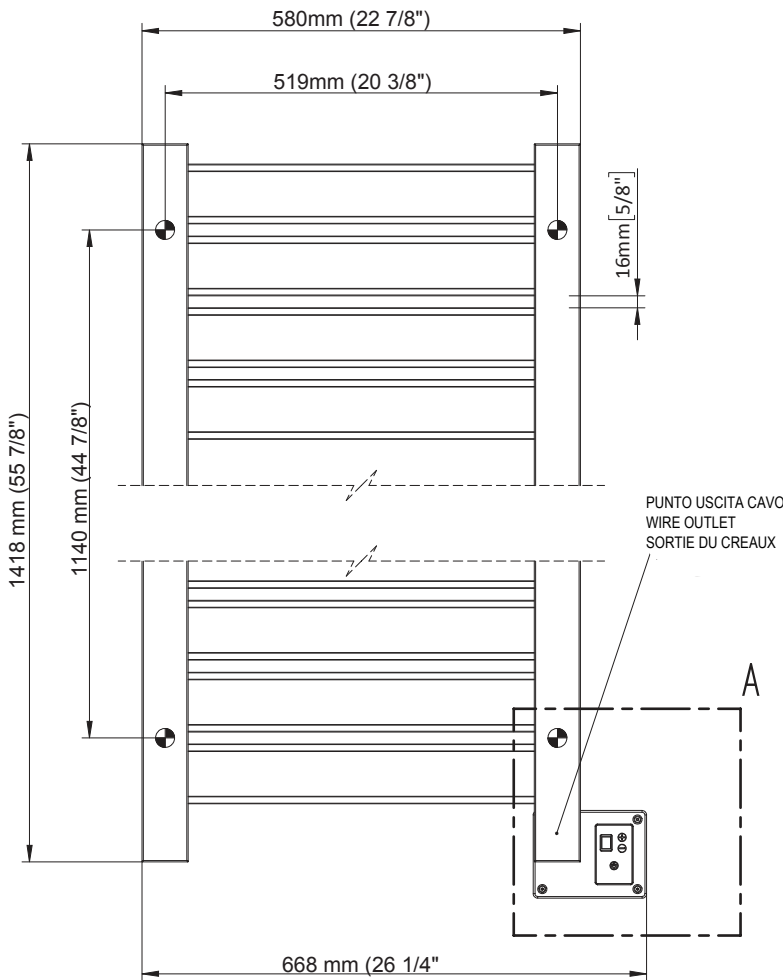
H

1418 mm
55 7/8 inches

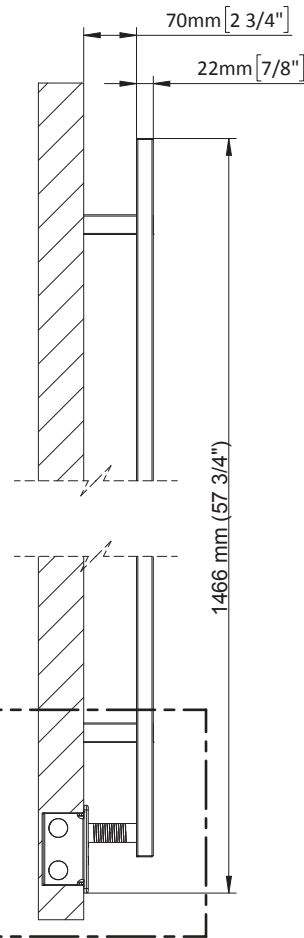
REGOLATORE DI POTENZA
HEAT CONTROLLER DEVICE
RÉGULATEUR DE PUISSANCE

INGOMBRO CON ATTACCO LUNGO
MEASURES WITH LONG BRACKETS
MEASUREMENT AVEC ATTACHE LONG

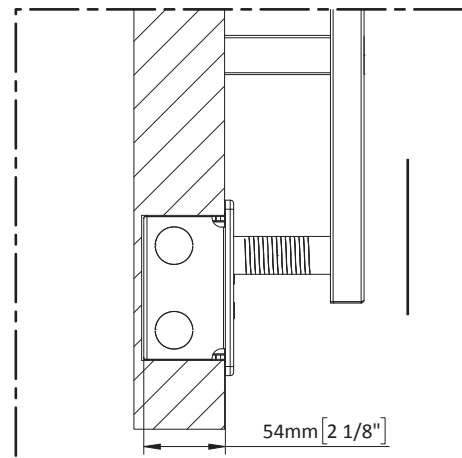
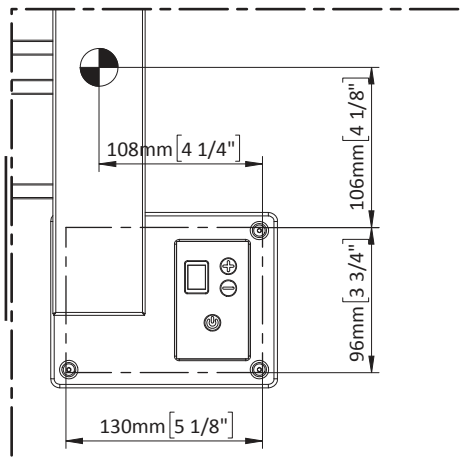
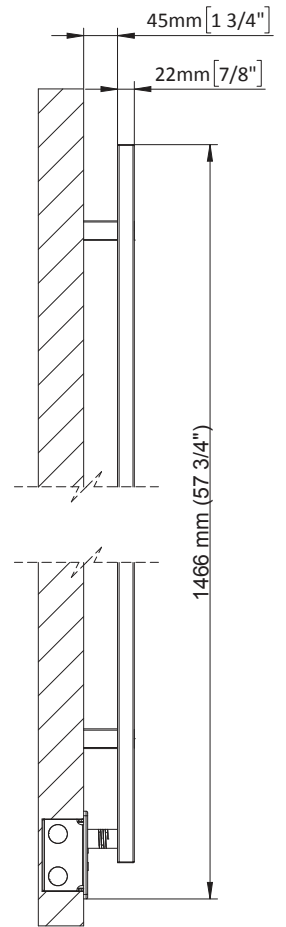
INGOMBRO CON ATTACCO STANDARD
MEASURES WITH STANDARD BRACKETS
MEASUREMENT AVEC ATTACHE STANDARD



DETAIL A



DETAIL B



FORO PER INSERIMENTO TASSELLO A MURO 6X30
POSITIONING OF FASTENERS FOR FIXING TO WALL
FASTENERS SHOULD BE SECURED IN STUDS OR HEADERS PLACED BEHIND THE UNIT
TROU POUR LA CHEVILLE A MUR