

decora®

Timer Switches for Energy Management



DDS15



VPT24



LTB30



LTT60

Better than ever – Leviton Timer Switches offer advanced features, superior accuracy and contemporary aesthetics. Our robust selection provides convenient timed control of lighting and motor loads in homes, offices, schools, libraries and other small commercial applications. An easy upgrade, automatic timers help reduce energy costs, improve security and add convenience. Homeowners can set lights to turn on and off for a lived-in look while they are away, or automate control of heat lamps, pool pumps or bathroom fans. Our versatile selection includes fully programmable and preset timers in popular styles and colors including a model that uses Bluetooth technology that can be programmed using a smartphone or tablet. All are backed by Leviton's long history of quality and reliability.

APPLICATIONS

- Residential Indoor/outdoor lighting, fans and pool filters
- Heat lamps, hot tubs, attic and exhaust fans
- Office lighting, ceiling fans and heaters

FEATURES AND BENEFITS

- Single pole or 3-way applications (most models)
- Replaces a standard wall switch (neutral required for select models)
- Soothing green LEDs
- Coordinates with Decora screwless wallplates

Decora® Digital Switch with Bluetooth® Technology

- 24-Hour Programmable and Countdown Timer in one
- Use the Decora Digital Dimmer and Timer app to program timer settings via smartphone or tablet
- Bluetooth compatibility provides local control and programming within a 30-foot* range
- Flexibility to program timed events weekdays, weekends or any combination of days at set or random times
- Astronomical clock, automatically set through connection with smart device, adjusts to local sunrise/sunset times

*30-ft Bluetooth range: Range may vary depending on specific conditions of installation, configuration of walls, obstacles and other factors.

- Automatic daylight saving time adjustment
- Countdown sleep timer can be set for up to 12 hours
- Rechargeable battery keeps time during temporary power outages
- Three colors in one box
- Color change kits available

Vizia +® 24-Hour Programmable Timer Switch For indoor/outdoor lighting, fans and pool filters

- Timer settings at a glance with large, back-lit display
- Flexibility to program weekdays, weekends or any combination of days
- Astronomical clock automatically adjusts to local sunrise/sunset times
- Automatic daylight savings time adjustment option
- Rechargeable battery keeps time during temporary power outages
- Three colors in one box
- Color change kits available
- VPT24-16Z meets Title 24 requirements

5-Button Decora Timer Switches For heat lamps, hot tubs, attic and exhaust fans (LTBxx)

- Improved 15-, 30-, or 60-minute timers, 12- and 2-hour options
- Four preset buttons and OFF
- Simple press and hold override timer function
- Flexibility to program timer to convert to any other timer interval
- Timer change kit available
- Three colors in one box
- Color change kits available

5-Button Incandescent Only Decora Timer Switches For indoor and outdoor lighting (LTTxx)

- 30- or 60-minute timers
- Four present buttons and OFF
- Simple press and hold override timer function
- Air gap switch for simple bulb replacement

SPECIFICATIONS

Operating Temperatures
0° C to 40° C

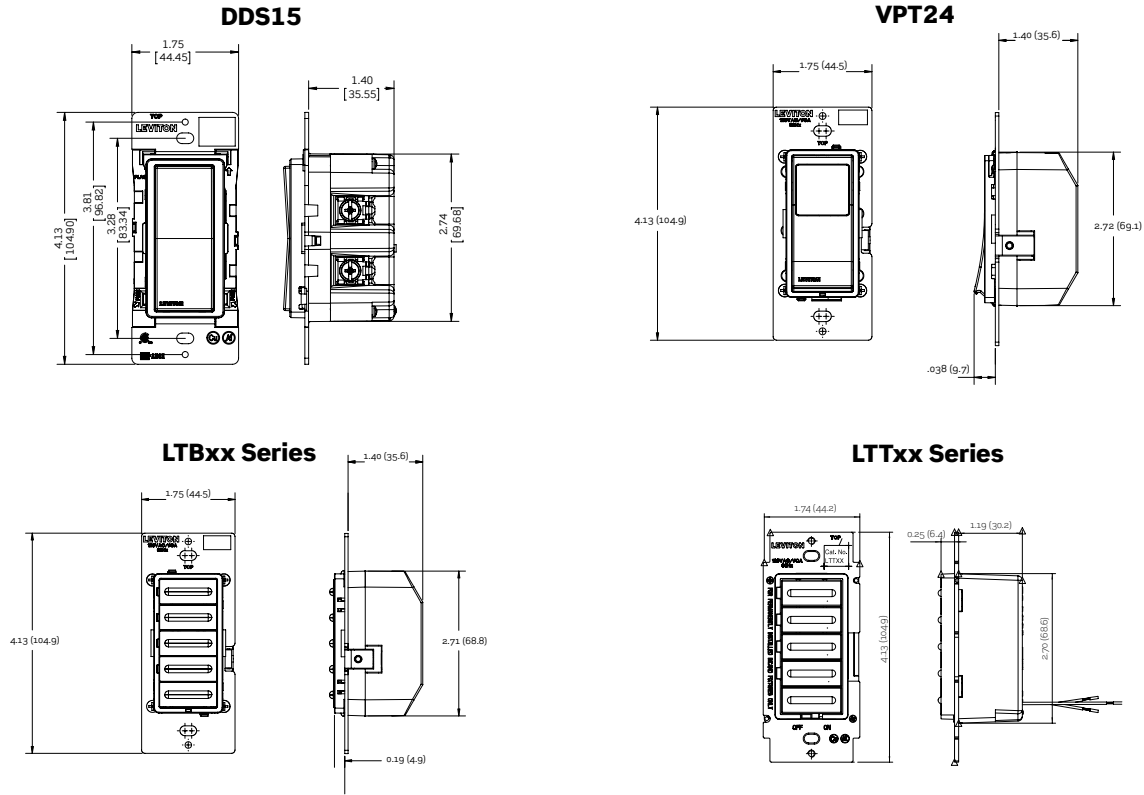
AGENCY STANDARDS AND COMPLIANCE

- Complies with FCC Part 15, Class B
- LTBxx/LTTxx - cULus Listed (File #E328804)
- DDS15 - cCSAus Certified (File #3413, Class 6211-81 and 6211-01)
- VPT24 - cCSAus Certified (File #3413, Class 4823-56 and 4823-86)
- Bluetooth SIG Certification (DDS15)
- Title 24 Compliant (VPT24-16Z)

WARRANTY INFORMATION

- Limited Five-Year Warranty

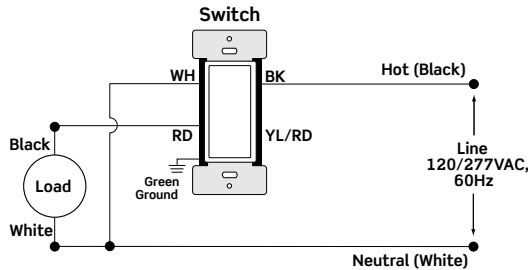
DIMENSIONAL DRAWINGS



WIRING DIAGRAMS

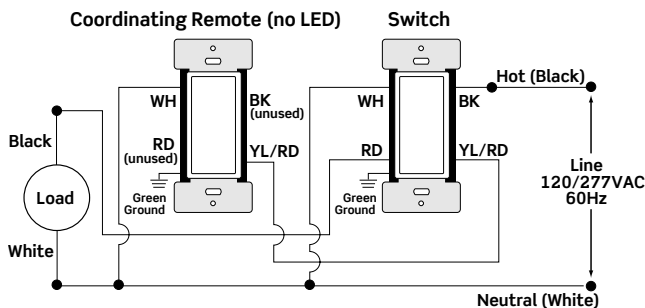
DDS15

Single Pole Wiring Application



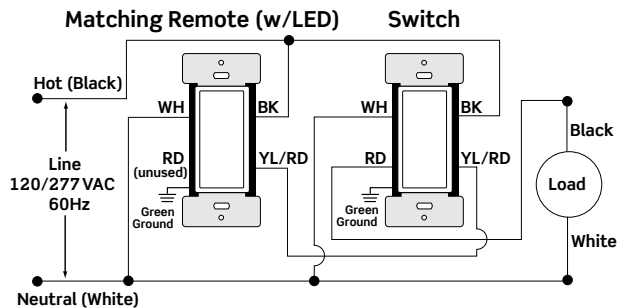
DDS15

3-Way Wiring Application



DDS15

3-Way Wiring Application



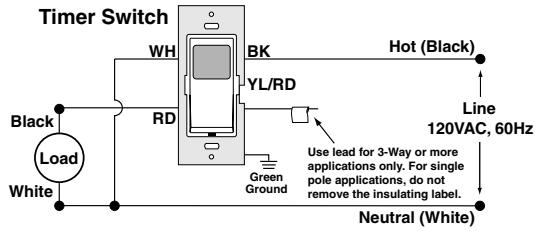
Leviton Mfg. Co., Inc.

201 North Service Road Melville, NY 11747 Tech Line: 1-800-824-3005 Fax: 1-800-832-9538 www.leviton.com/timers
 © 2017 Leviton Manufacturing Co., Inc. All rights reserved. Subject to change without notice.

WIRING DIAGRAMS

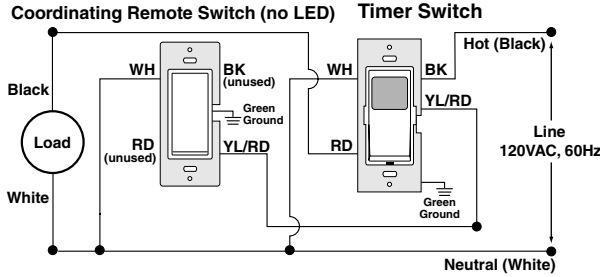
VPT24

Single Pole Wiring Application



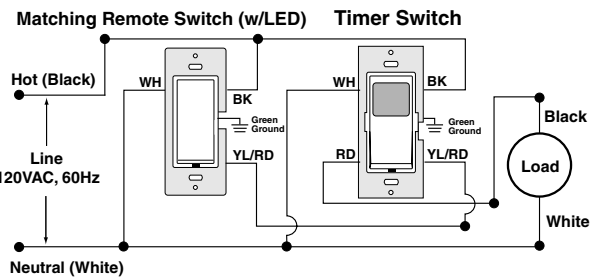
VPT24

3-Way Wiring with Coordinating Remote Switch, VPOSR-10 (no LED) Application



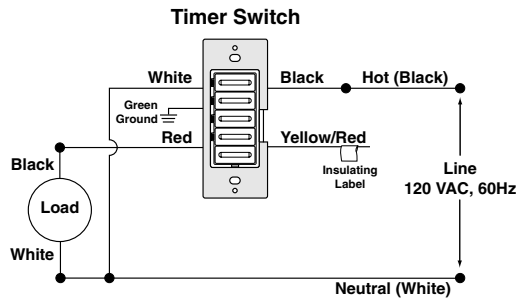
VPT24

3-Way Wiring with Matching Remote Switch, VPOSR-1L (w/LED) Application



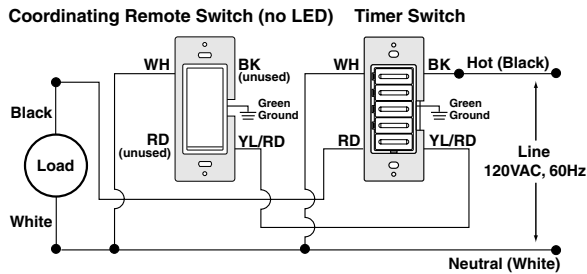
LTBxx Series

Single Pole Wiring Application



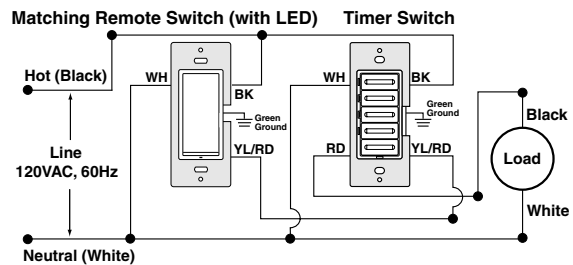
LTBxx Series

3-Way Wiring with Coordinating Remote Switch, VPOSR (no LED) Application



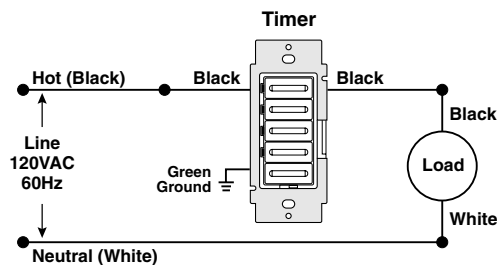
LTBxx Series

3-Way Wiring with Matching Remote Switch, VPOSR (w/LED) Application



LTTxx Series

Single Pole Wiring Application



Leviton Mfg. Co., Inc.

201 North Service Road Melville, NY 11747 Tech Line: 1-800-824-3005 Fax: 1-800-832-9538 www.leviton.com/timers
 © 2017 Leviton Manufacturing Co., Inc. All rights reserved. Subject to change without notice.

DERATING/MAXIMUM CAPACITY

Decora timers have side sections. In multi-gang installations, fin plate removal is required for devices with side sections, and all devices must be derated in accordance with the following chart:

Cat No.	Single Gang	Double Gang	Triple Gang or More
DDS15-BD	No derating required	No derating required	No derating required
VPT24-1P, VPT24-16	No derating required	No derating required	No derating required
LTBxx Series	Resistive: 20A (2400W) Incandescent: 1800W Inductive: 20A, Motor: 1HP	Resistive: 16A (1920W) Incandescent: 1800W Inductive: 16A, Motor: 1HP	Resistive: 16A (1920W) Incandescent: 1800W Inductive: 16A, Motor: 1HP
LTTxx Series	600W	500W	400W

ORDERING INFORMATION

Programmable® Timer Switches - Electronic Timer Switches, Single Pole or 3-Way

Cat. No.	Description	Rating	Color*
DDS15-BD	Decora Digital Dual Voltage Switch with Bluetooth Technology, Neutral Wire Required	1800W Incandescent/Halogen, 600W LED/CFL, 5A FL (120V) 6A FL (277V)	Z
VPT24-1P	Vizia +® 24 Hour Timer with astronomical clock; Neutral Required	1800W Incandescent, 15A Resistive/Inductive, 1 HP @ 120VAC	Z
VPT24-16	Vizia +® 24 Hour Timer with astronomical clock; Neutral Required; California Title 24 compliant	1800W Incandescent, 15A Resistive/Inductive, 1 HP @ 120VAC	Z

5-Button Timer Switches - Four Preset Buttons and OFF

Cat. No.	Description	Interval	Rating	Color*
LTB15-1L	15 minute, Single Pole or 3-Way, Neutral Required	2-5-10-15 minutes	1800W Incandescent, 20A Resistive/Inductive, 1 HP @ 120VAC	Z
LTB30-1L	30 minute, Single Pole or 3-Way, Neutral Required	5-10-15-30 minutes	1800W Incandescent, 20A Resistive/Inductive, 1 HP @ 120VAC	Z
LTB60-1L	60 minute, Single Pole or 3-Way, Neutral Required	10-20-30-60 minutes	1800W Incandescent, 20A Resistive/Inductive, 1 HP @ 120VAC	Z
LTB02-1L	2 hour, Title 24 Compliant	15M-30M-1H-2H	1800W Incandescent, 20A Resistive/Inductive, 1 HP @ 120VAC	Z
LTB12-1L	12 hour	2-4-8-12 hours	1800W Incandescent, 20A Resistive/Inductive, 1 HP @ 120VAC	Z
LTT30	30 minute, Single Pole or 3-Way,	5-10-15-30 minutes	600W Incandescent, 5A Resistive, (Inductive)	I, W, T
LTT60	60 minute, Single Pole or 3-Way,	10-20-30-60 minutes	600W Incandescent, 5A Resistive, (Inductive)	I, W, T

*To order colors, add suffix to basic Cat. No. White (-W), Ivory (-I), Light Almond (-T). Products with suffix -Z are packaged 3 colors in a box: White, Ivory and Light Almond.

Color Change Kits

Cat. No.	Description	Color*
VPTKT	Vizia + 24 Hour Timer Color Change Kit	W, I, T, G, E, B
LTBKT	5-Button Timer Color Change Kit	W, I, T, E, B
DDKIT-OS	Decora Digital Switch Color Change Kit	W, I, G, E, B, R

Color Change Kits in White (-W), Ivory (-I), Light Almond (-T), Gray (-G), Black (-E), Brown (-B), Red (-R).

Leviton Manufacturing Co., Inc.

201 North Service Road, Melville, NY 11747-3138
Telephone: 1-800-323-8920 • Fax: 1-800-832-9538 • Tech Line: (8:30AM-7:00PM E.T. Monday-Friday): 1-800-824-3005

Leviton Manufacturing of Canada, Ltd.

165 Hymus Boulevard, Pointe Claire, Quebec H9R 1E9 • Telephone: 1-800-469-7890 • Fax: 1-800-563-1853

Leviton S. de R.L. de C.V.

Lago Tana 43, Mexico DF, Mexico CP 11290 • Tel. (+52) 55-5082-1040 • Fax. (+52) 5386-1797 • www.leviton.com.mx

Decora and Vizia + are registered trademarks of Leviton Manufacturing Co., Inc.

Visit our website at www.leviton.com

© 2017 Leviton Manufacturing Co., Inc. All rights reserved. Subject to change without notice.

