

QUADRO 516 x 1082 Q-2042 P/B/MB

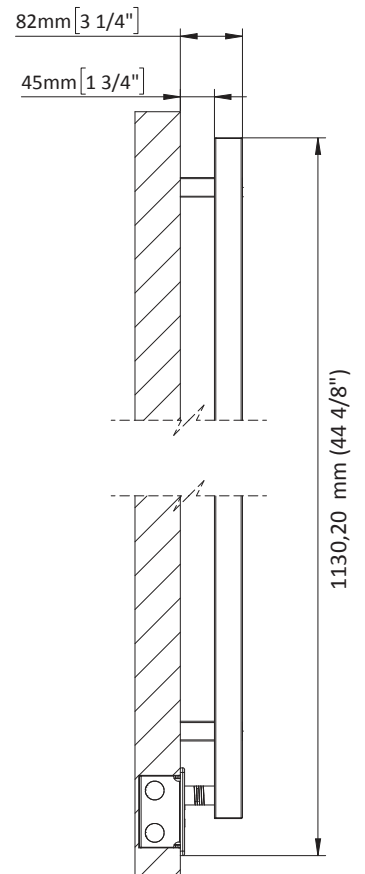
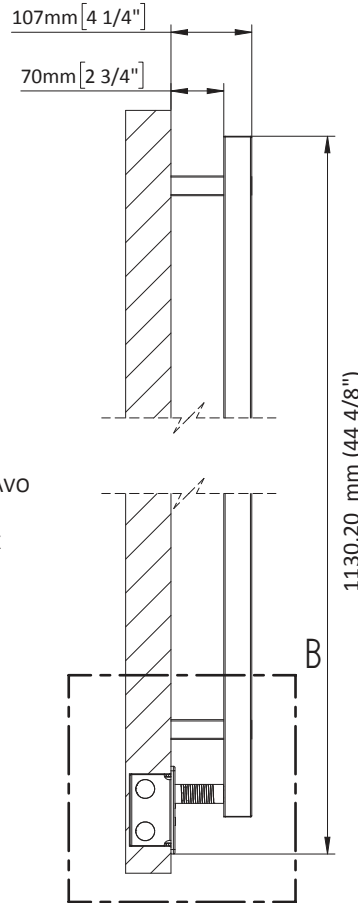
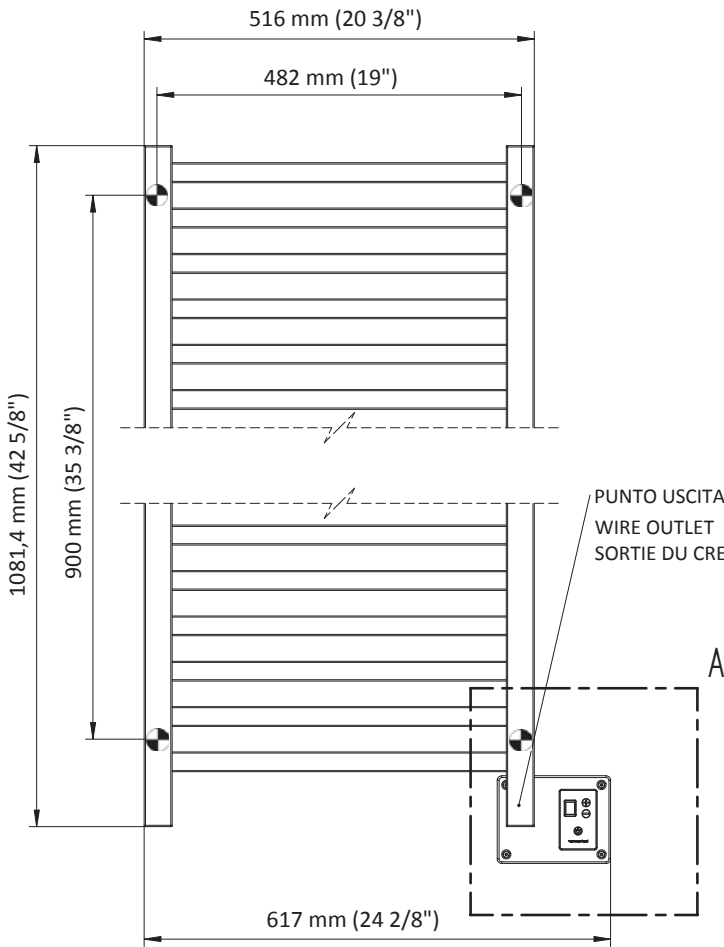
mm mm

Elettrico / electric / électrique

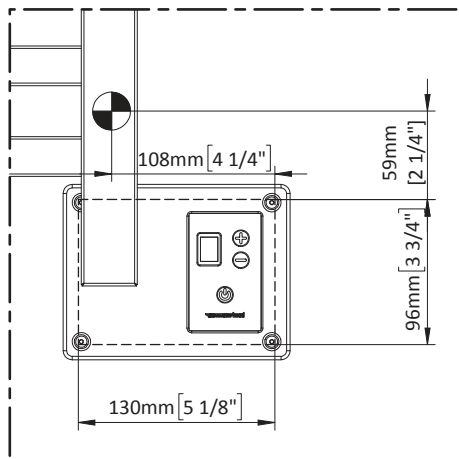
CODICE / CODE		H	L	REGOLATORE DI POTENZA DIGITAL HEAT CONTROLLER REGULATEUR DE PUISSANCE
RS435016SN	RS445016SN	1082 mm	516 mm	
RL435016SN	RL445016SN	42 5/8 inches	20 3/8 inches	
RV435016SN	RV445016SN			

INGOMBRO CON ATTACCO LUNGO
MEASURES WITH LONG BRACKETS
MEASUREMENT AVEC ATTACHE LONG

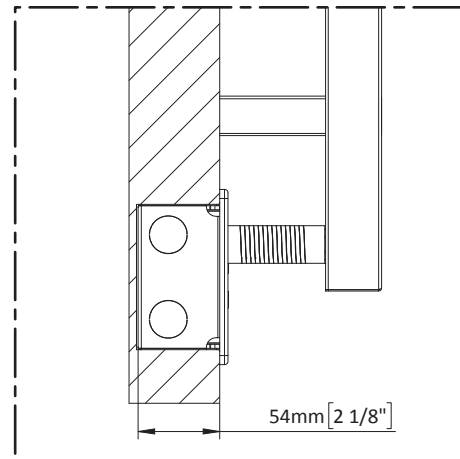
INGOMBRO CON ATTACCO STANDARD
MEASURES WITH STANDARD BRACKETS
MEASUREMENT AVEC ATTACHE STANDARD



DETAIL A



DETAIL B



FORO PER INSERIMENTO TASSELLO A MURO 6X30
POSITIONING OF FASTENERS FOR FIXING TO WALL
FASTENERS SHOULD BE SECURED IN STUDS OR HEADERS PLACED BEHIND THE UNIT
TROU POUR LA CHEVILLE À MUR